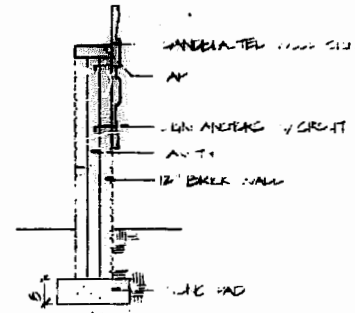
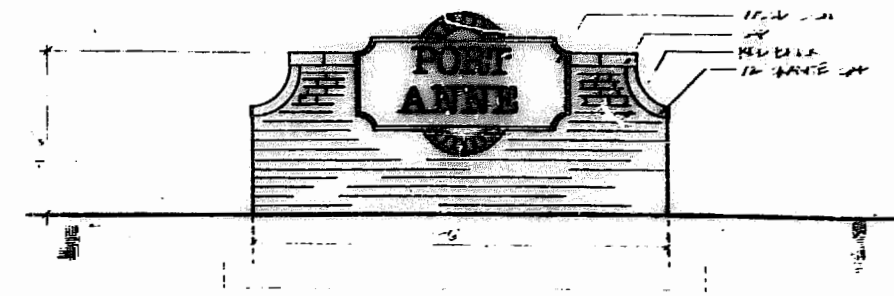


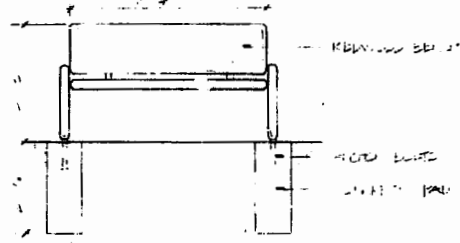
**TYPICAL TRASH RECEPT. ELEVATION**  
SCALE: 1/8" = 1'-0"



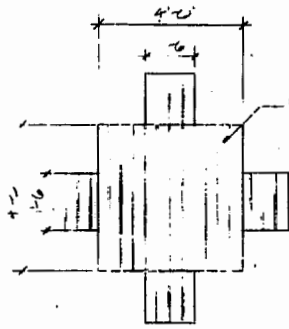
**SIGN ENTRANCE SECTION**  
SCALE: 1/8" = 1'-0"



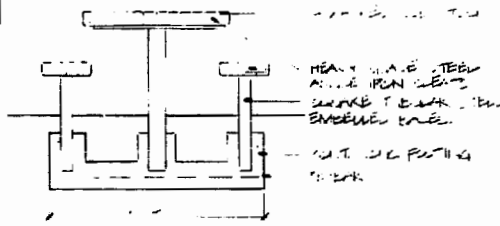
**SIGN ENTRANCE ELEVATION**  
SCALE: 1/8" = 1'-0"



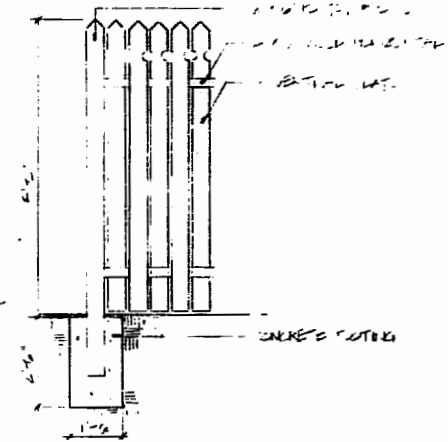
**TYPICAL BENCH ELEVATION**  
SCALE: 1/2" = 1'-0"



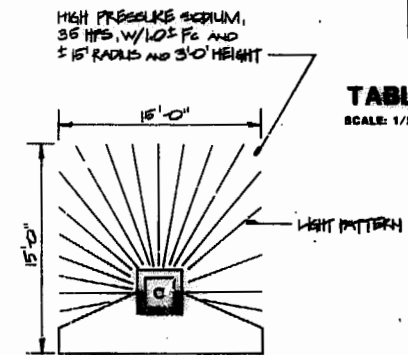
**TABLE PLAN**  
SCALE: 1/8" = 1'-0"



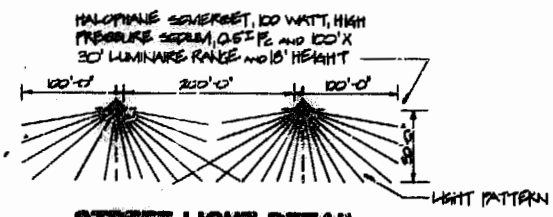
**TYPICAL TABLE ELEVATION**  
SCALE: 1/8" = 1'-0"



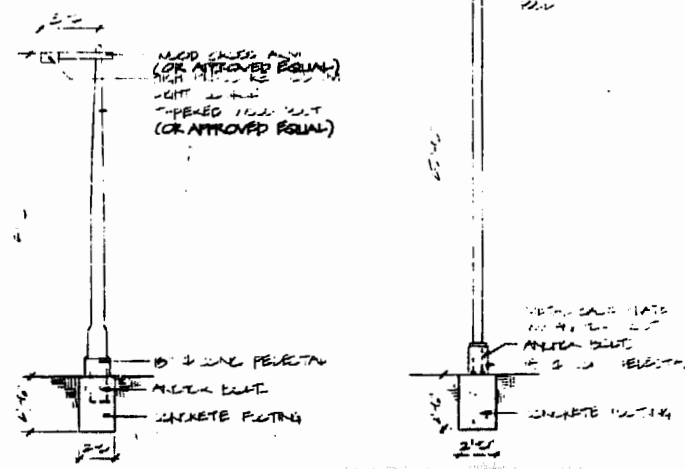
**TYPICAL SCREEN FENCING ELEVATION**  
SCALE: 1/2" = 1'-0"



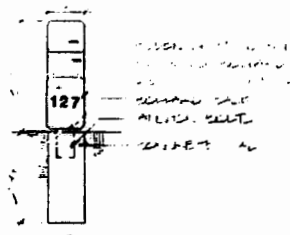
**BOLLARD TYPE 3415**



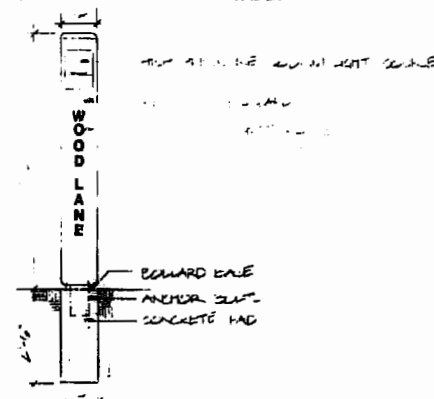
**STREET LIGHT DETAIL**



**TYPICAL REC. AREA LIGHT ELEVATION**  
SCALE: 1/8" = 1'-0"



**BOLLARD ELEVATION**  
SCALE: 1/8" = 1'-0"



**TYPICAL STREET SIGN**  
SCALE: 1/8" = 1'-0"

**STREET LIGHT DETAIL**  
SCALE: 1/8" = 1'-0"

**SITE AMENITIES LEGEND**

- Bench: California Redwood, "Soft Edge" style. Columbia Cascade Timber Company, Woodform Model No. 3656 (located at picnic area on common ground).
- Table and Seats: Square redwood table with square tubular steel embedded base. Type - Forum 3.9PE4029 and 17" seats. Forum 3.9PE1916. Manufactured by Landscape Forms (located at picnic area on common ground).
- Trash Receptacle: 3' high California Redwood enclosure with "Soft Edge" style. Columbia Cascade Timber Company, Woodform Model No. 3741 (located at common ground picnic area and recreational area).
- Screen Fencing: 8' redwood slat fence located around dumpster and back of swimming pool. See Index Sheet II for location.
- Entrance Sign: Hand carved redwood, manufactured by Wood Smiths Sign Systems.

TILKOWSKI ASSOCIATES, INC.  
 11000 15th Ave. S.E.  
 BELLEVUE, WA 98006  
 TEL: 206-465-1100  
 FAX: 206-465-1101  
 WWW.TILKOWSKI.COM

CITY AMENITIES  
**PORT ANNE**  
 WILMINGTON, VERMONT

Design: [ ]  
 Draw: [ ]  
 Check: [ ]  
 Date: 08-04-09  
 Desc: [ ]  
 File No: 080009  
 Project No: 08009  
 Sheet No: 14