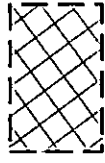




TEMPORARY
CONSTRUCTION
AND ACCESS
EASEMENT
1,760 S.F.



DRAINAGE
EASEMENT TO
JAMES CITY
COUNTY
1,942 S.F.



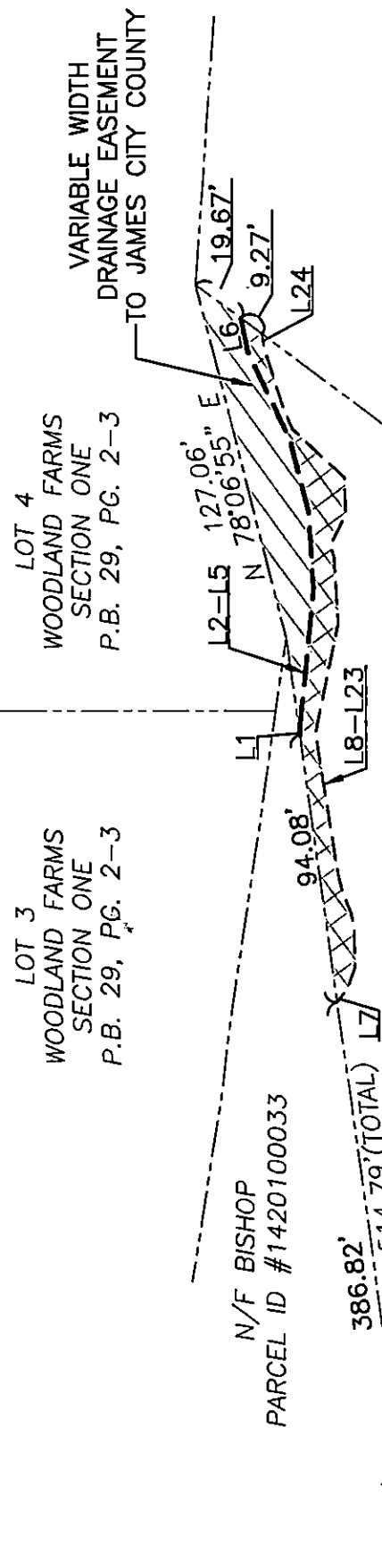
PLAT SHOWING EASEMENTS TO BE GRANTED TO
JAMES CITY COUNTY
FROM

MINDA F. BISHOP

JAMES CITY COUNTY VIRGINIA

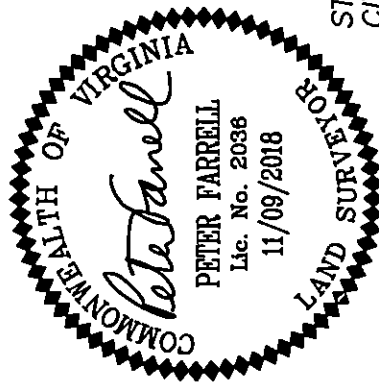
LandTech Resources, Inc.

ENGINEERING & SURVEYING CONSULTANTS
3925 Midlands Road, Williamsburg, Virginia 23188
Telephone: 757-565-1677 Fax: 757-565-0782
Web: landtechresources.com



PARCEL 2
MINDA F. BISHOP
D.B. 553, PG. 437
INST. #090023906 (PLAT)
4854 RIVERVIEW ROAD
PARCEL ID: 14201000033A

N/F
UNDERWOOD
PARCEL ID #1420100035A



STATE OF VIRGINIA
CITY OF WILLIAMSBURG & COUNTY OF JAMES CITY CIRCUIT COURT.
THIS DAY OF 20

THE PLAT SHOWN HEREON WAS PRESENTED AND ADMITTED TO
THE RECORD AS THE LAW DIRECTS AT AM/PM
INSTRUMENT #

TESTE: MONA A. FOLEY, CLERK

DATE: 11/09/2018
SCALE: 1"=60'
JOB# 16-368
CAD File
17-368 ESMNT PLATS.dwg