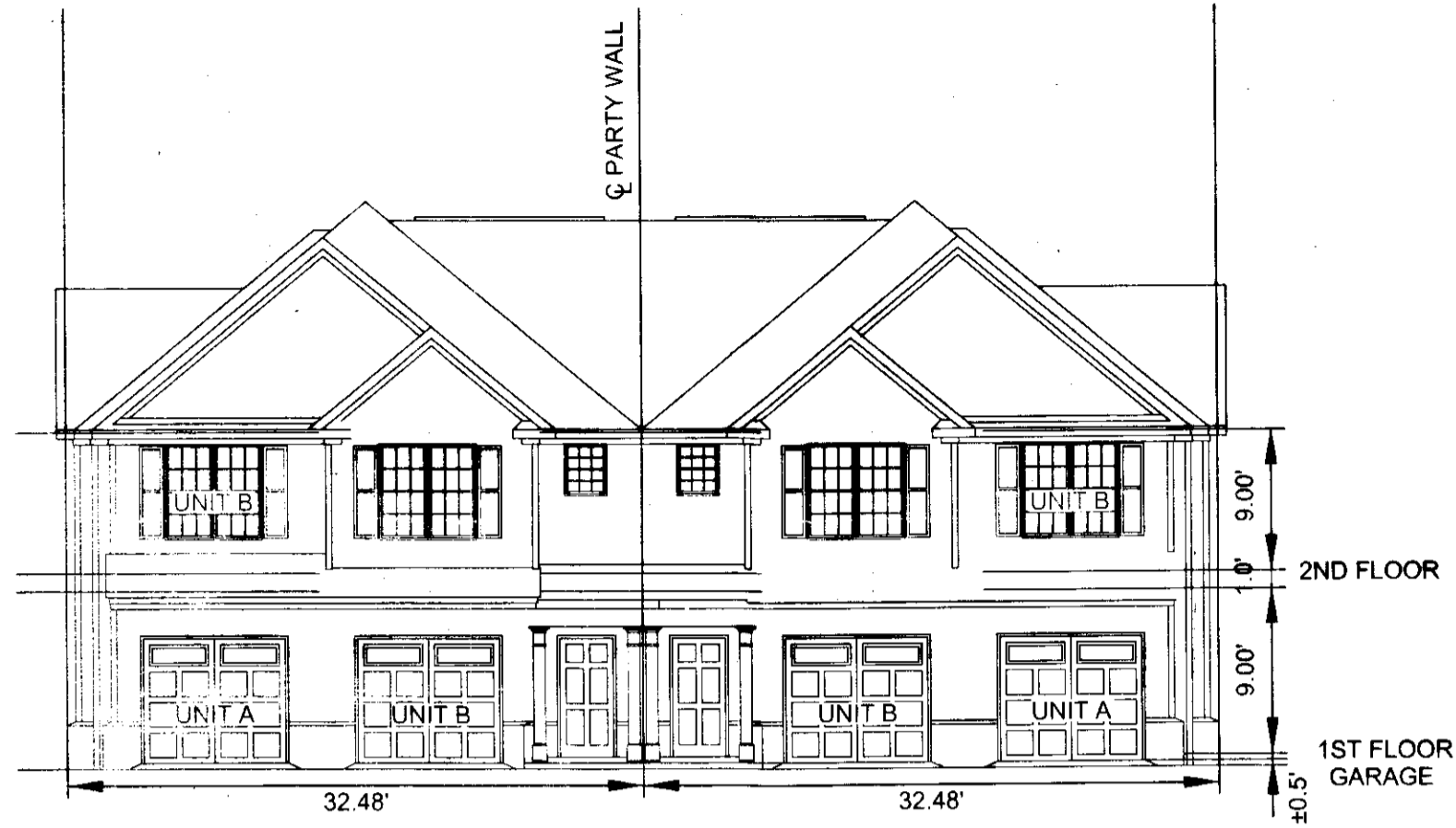


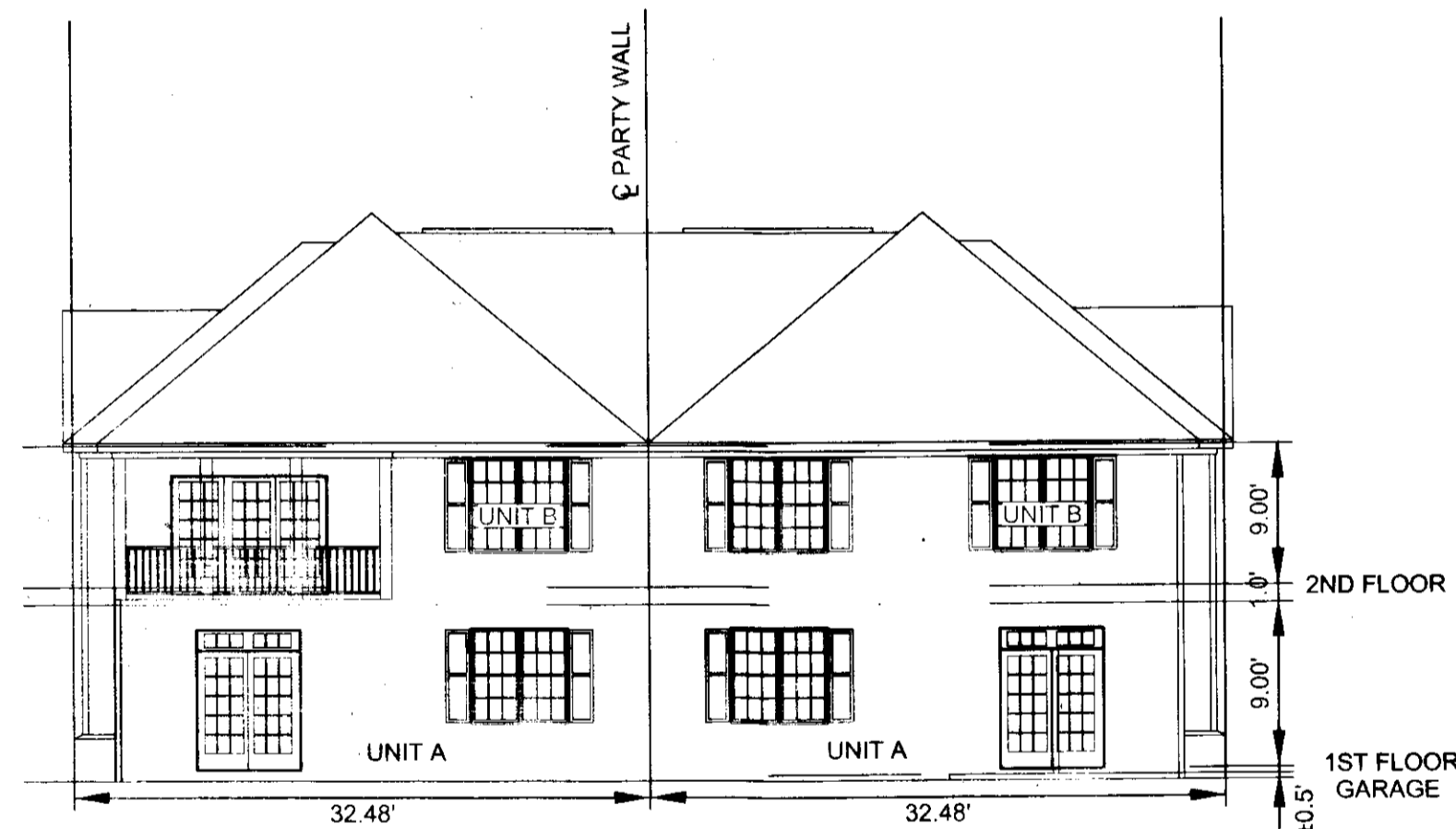
150022789



FRONT ELEVATION



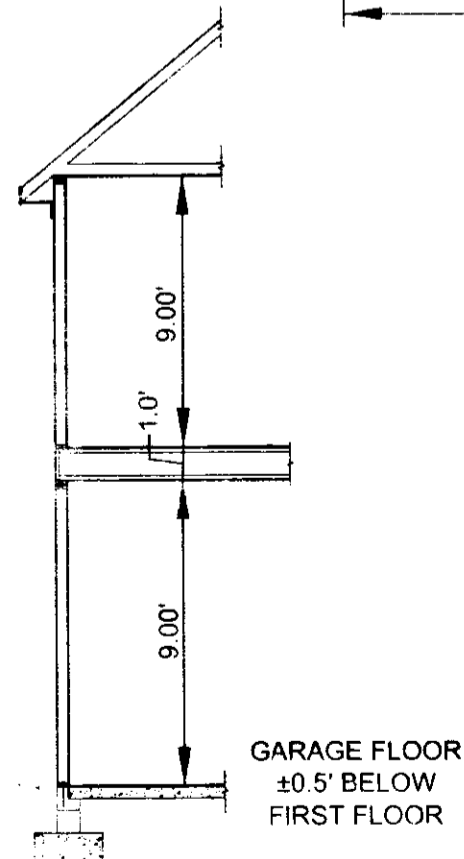
RIGHT SIDE ELEVATION



REAR ELEVATION



LEFT SIDE ELEVATION



TYPICAL SECTION

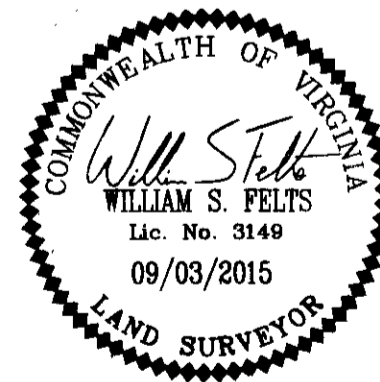
NOTE:
BUILDING DIMENSIONS AND ELEVATIONS SHOWN ARE BASED ON ARCHITECTURAL PLANS PREPARED BY TOANO DESIGN, INC. DIMENSIONS SHOWN ARE TO THE BUILDING FRAMING LINE.

SURVEYORS CERTIFICATE

I HEREBY CERTIFY THAT TO THE BEST OF MY KNOWLEDGE OR BELIEF, THIS PLAN IS ACCURATE AND COMPLIES WITH THE PROVISIONS OF SECTION 55-79.58 (B) OF THE CODE OF VIRGINIA 1950 AS AMENDED AND THAT ALL UNITS DEPICTED HEREON HAVE BEEN SUBSTANTIALLY COMPLETED.

William S. Felts
STATE CERTIFIED LAND SURVEYOR

09/03/2015
DATE



4 Large/Small Plat(s) Recorded
herewith as # 150022789

City of Williamsburg & County of James City
Circuit Court: This PLAT was recorded on
12-1-2015
at 8:43 AM/PM, PB, PG
Document # 150022789
BETSY B. WOOLRIDGE, CLERK
Rebecca Courteau, Dep. Clerk



Scale: 1" = 10'

PLAN OF
4 UNIT BUILDING
BRAEMAR CREEK
AT GREENSPRINGS PLANTATION
A CONDOMINIUM

LOCATED IN THE BERKELEY DISTRICT
JAMES CITY COUNTY, VIRGINIA

DATE: 09/03/15 SCALE: 1" = 10' JOB# 05-548-10
SHEET: 4 OF 4



3925 Midlands Road, Williamsburg, VA 23188
Phone: (757) 565-1677 Fax: (757) 565-0782
web: landtechresources.com