

#041494

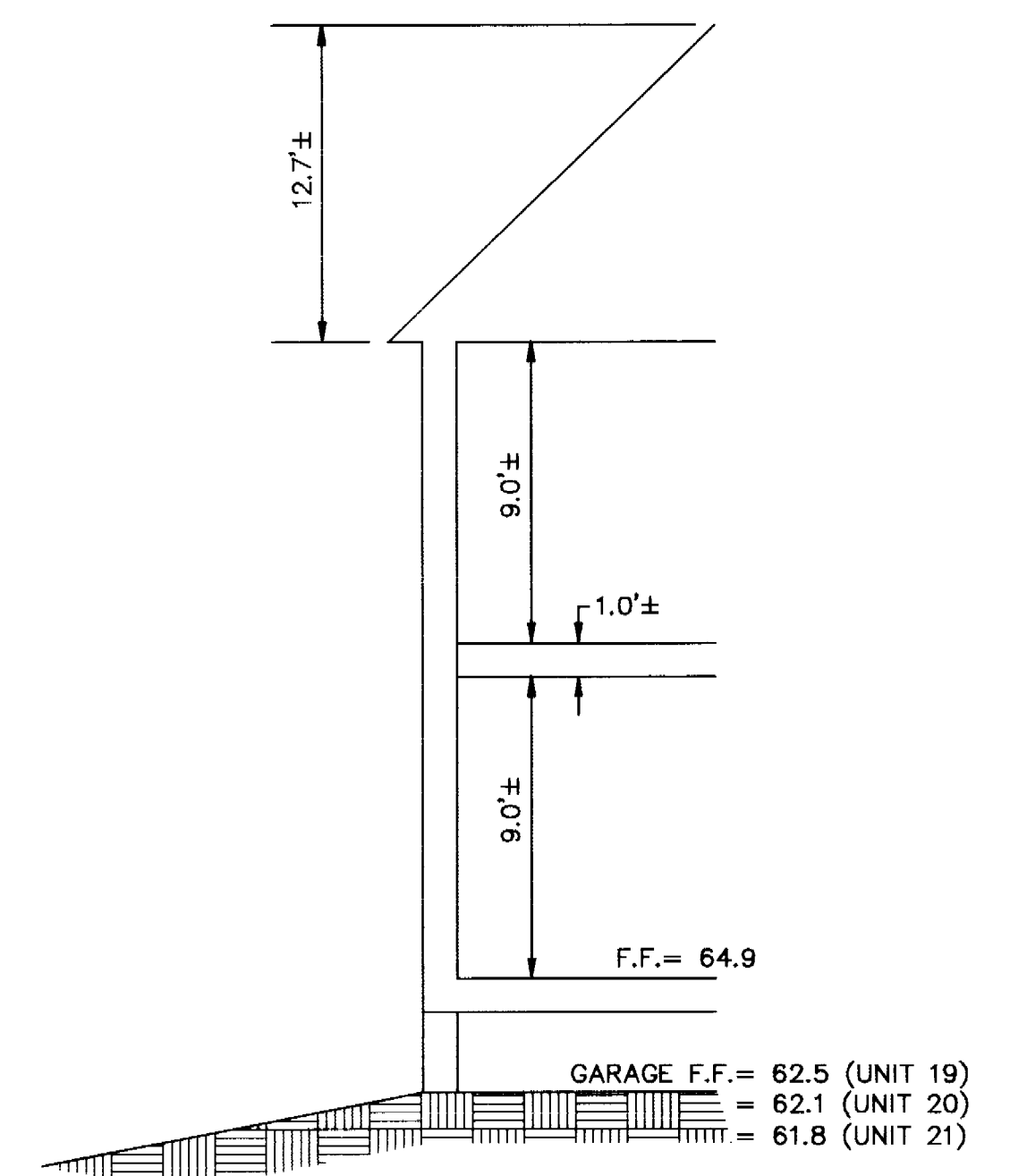
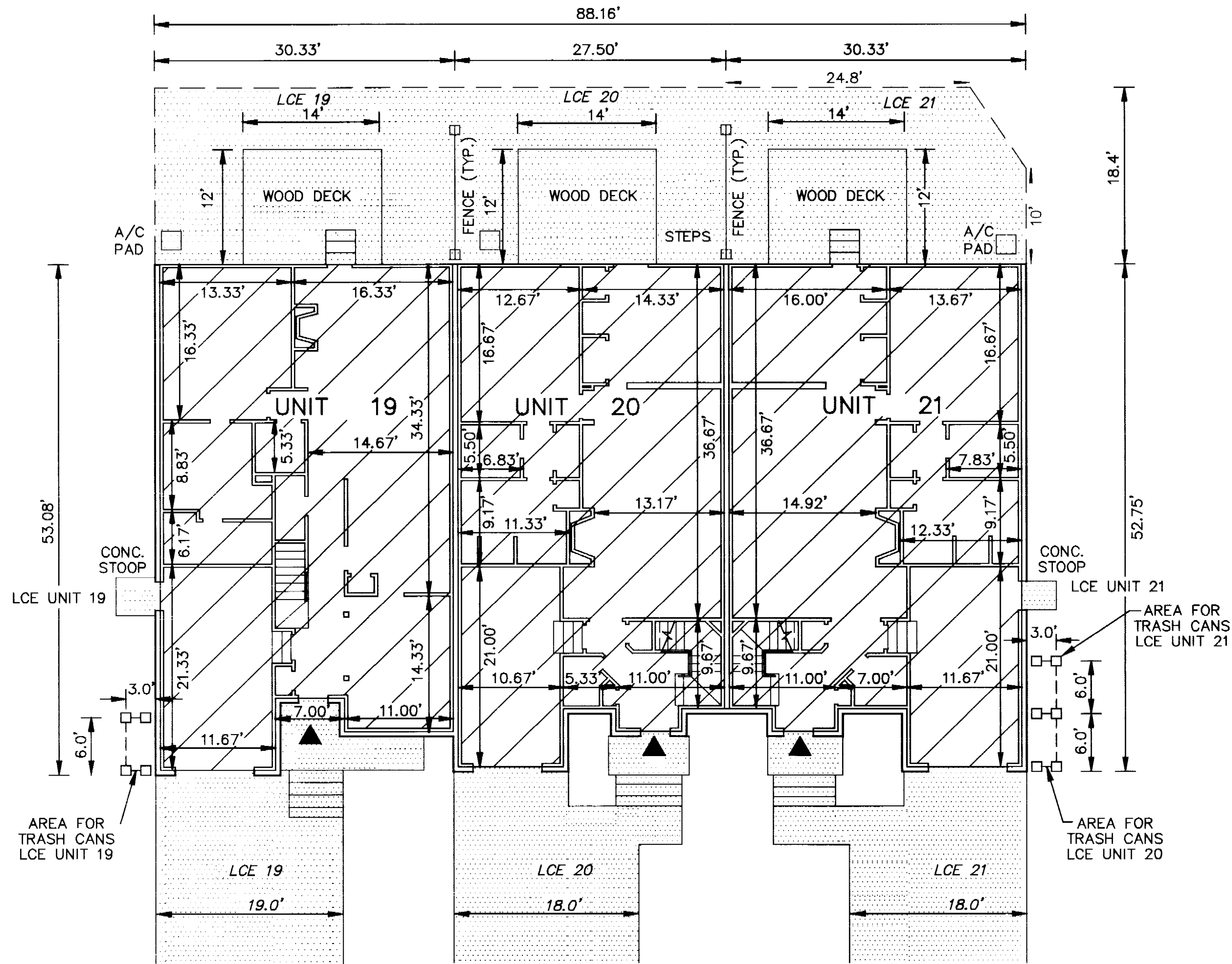
EXHIBIT B-27  
 SUPPLEMENTAL CONDOMINIUM PLAN  
 OF  
**WYNDHAM PLANTATION  
 CONDOMINIUM**  
 WILLIAMSBURG, VIRGINIA  
 SCALE: 1"=10' JULY 23, 2004  
**JOHN E. SIRINE AND ASSOCIATES, LTD.**  
 SURVEYORS • ENGINEERS • PLANNERS  
 VIRGINIA BEACH, VIRGINIA  
 (757) 486-4910

**NOTES:**

- BUILDING DIMENSIONS SHOWN HEREON ARE INTERIOR DIMENSIONS. THESE DIMENSIONS ARE IN FEET AND WERE TAKEN FROM PLANS SUPPLIED ENTITLED "WYNDHAM PLANTATION AT WILLIAMSBURG, FLOOR PLANS" BY PROGRESSIVE DESIGNS DATED 11/19/98.
- INTERIOR UNIT CONFIGURATIONS AND PARTITIONS AS DEPICTED HEREON ARE FOR THE PURPOSE OF ILLUSTRATION ONLY AND MAY NOT REPRESENT THE INTERIOR OF A UNIT AS ACTUALLY CONSTRUCTED.

**FIRST FLOOR — BUILDING 28**

SCALE: 1"=10'

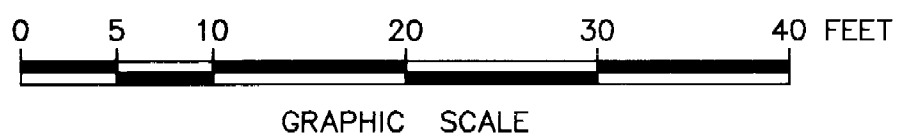


SCALE : 1"=5'

UNIT AREA  
 LIMITED COMMON ELEMENT TO THE UNIT INDICATED (LCE)  
 INDICATES FRONT ENTRANCE TO UNIT

THE UNDERSIGNED CERTIFIES THAT THESE PLANS ARE ACCURATE AND COMPLY WITH THE PROVISIONS OF CODE OF VIRGINIA, SECTION 55-79.58.B AND THAT ALL UNITS OR PORTIONS THEREOF DEPICTED HEREON AND ALL COMMON ELEMENTS HAVE BEEN SUBSTANTIALLY COMPLETED, UNLESS OTHERWISE NOTED.

PHASE	UNIT No.	UNIT ADDRESS	UNIT AREA
29	19	249 ZELKOVA ROAD	1,853 S.F.
29	20	253 ZELKOVA ROAD	1,800 S.F.
29	21	257 ZELKOVA ROAD	1,957 S.F.



City of Williamsburg & County of James City  
 Circuit Court: This PLAT was recorded on  
 8-19-2004  
 at 1:57 PM, PB PG  
 DOCUMENT # 041494  
 BETSY B. WOOLRIDGE, CLERK  
*Betsy B. Woolridge* Clerk

SIGNED: *Jeffrey D. Williams*  
 JEFFREY D. WILLIAMS, L.S.

