

#040800

EXHIBIT B-24
 SUPPLEMENTAL CONDOMINIUM PLAN
 OF
 WYNDHAM PLANTATION
 CONDOMINIUM

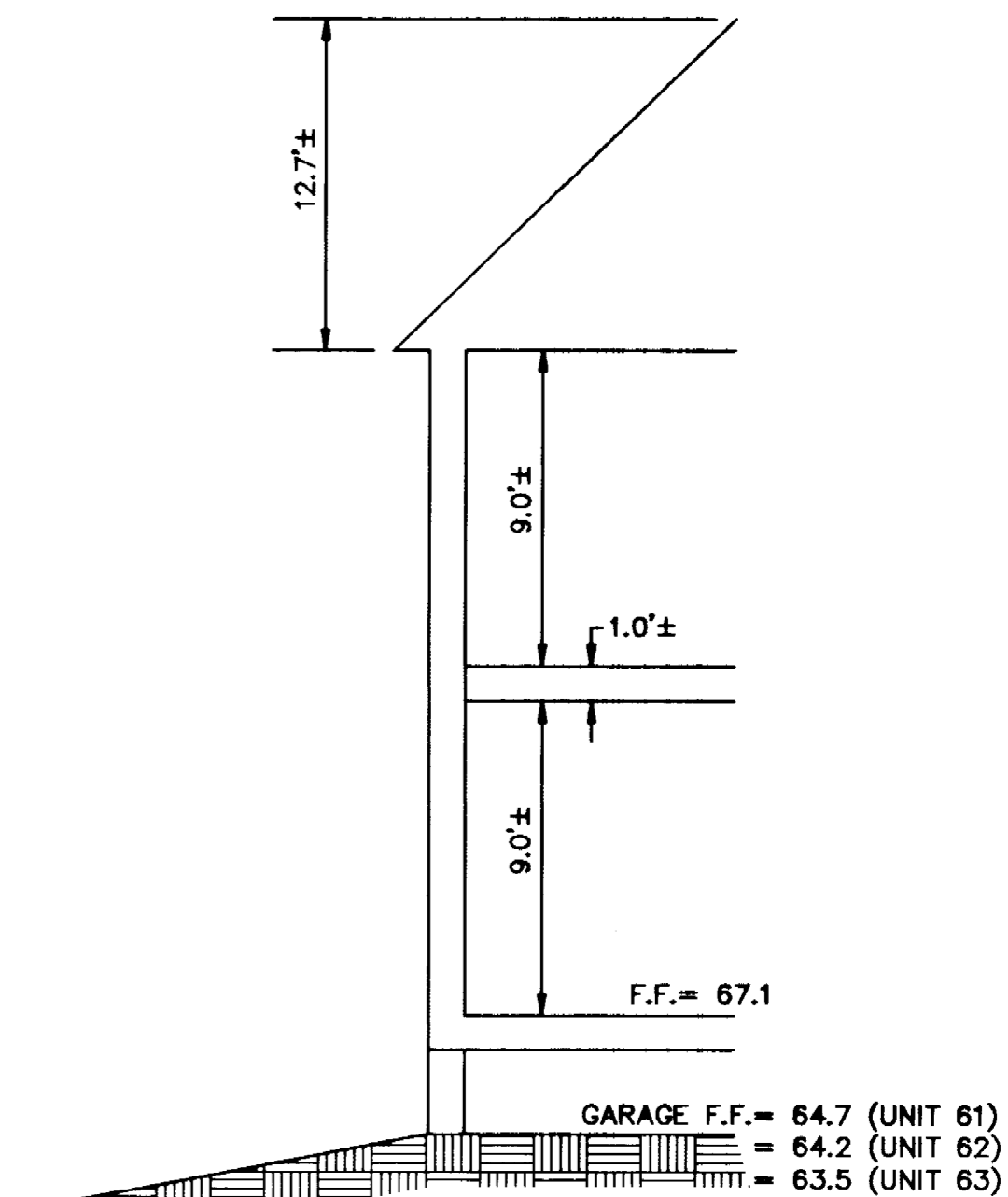
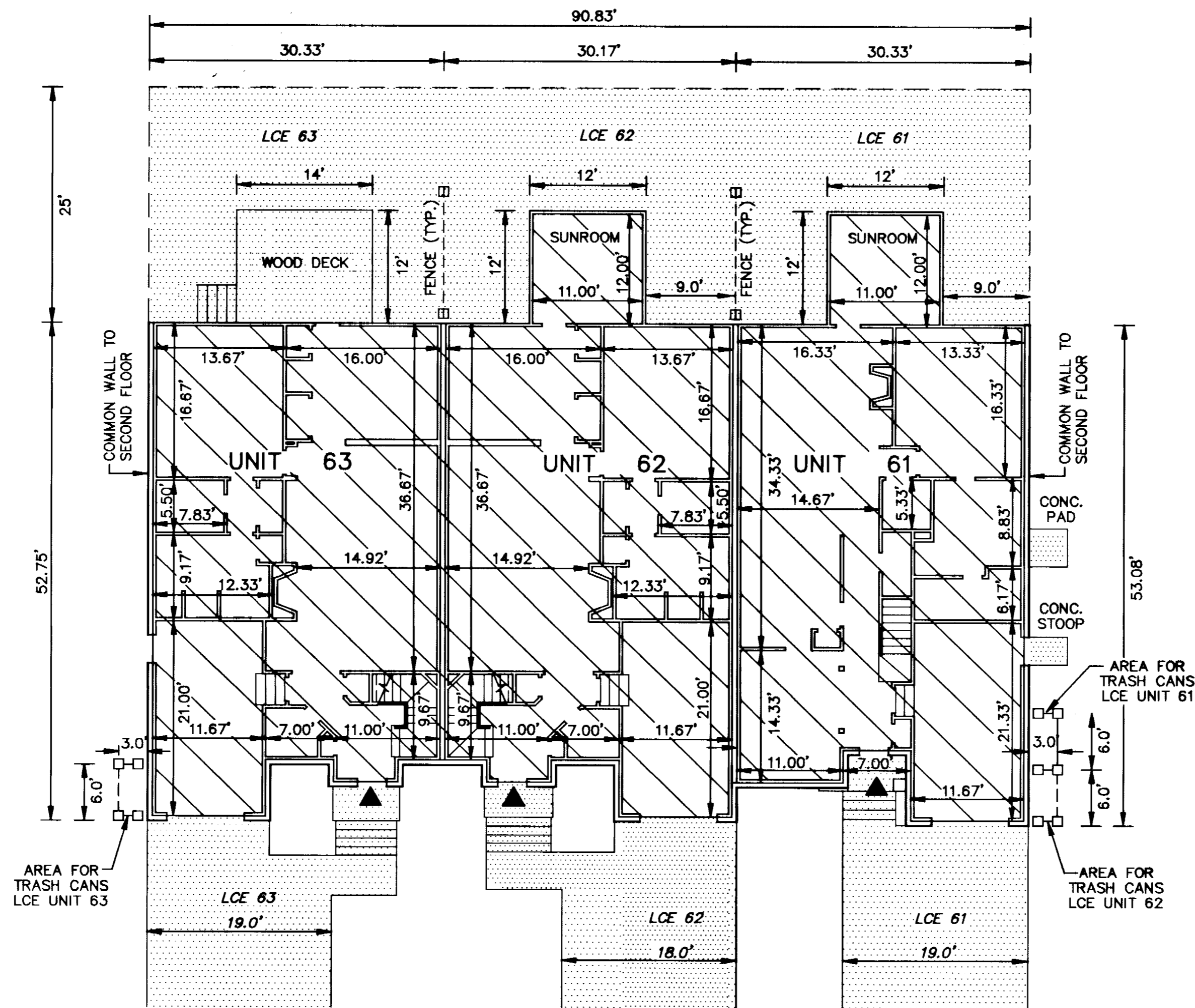
WILLIAMSBURG, VIRGINIA
 SCALE: 1"=10' APRIL 16, 2004
 JOHN E. SIRINE AND ASSOCIATES, LTD.
 SURVEYORS • ENGINEERS • PLANNERS
 VIRGINIA BEACH, VIRGINIA
 (757) 486-4910

NOTES:

1. BUILDING DIMENSIONS SHOWN HEREON ARE INTERIOR DIMENSIONS. THESE DIMENSIONS ARE IN FEET AND WERE TAKEN FROM PLANS SUPPLIED ENTITLED "WYNDHAM PLANTATION AT WILLIAMSBURG, FLOOR PLANS" BY PROGRESSIVE DESIGNS DATED 11/19/98.
2. INTERIOR UNIT CONFIGURATIONS AND PARTITIONS AS DEPICTED HEREON ARE FOR THE PURPOSE OF ILLUSTRATION ONLY AND MAY NOT REPRESENT THE INTERIOR OF A UNIT AS ACTUALLY CONSTRUCTED.

FIRST FLOOR - BUILDING 6

SCALE: 1"=10'

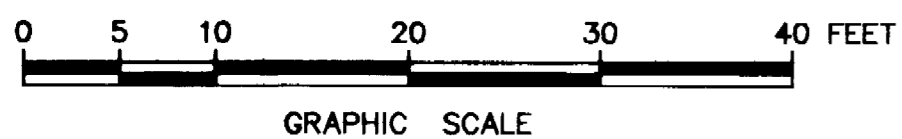


SCALE: 1"=5'

- UNIT AREA
- LIMITED COMMON ELEMENT TO THE UNIT INDICATED (LCE)
- INDICATES FRONT ENTRANCE TO UNIT

THE UNDERSIGNED CERTIFIES THAT THESE PLANS ARE ACCURATE AND COMPLY WITH THE PROVISIONS OF CODE OF VIRGINIA, SECTION 55-79.58.B AND THAT ALL UNITS OR PORTIONS THEREOF DEPICTED HEREON AND ALL COMMON ELEMENTS HAVE BEEN SUBSTANTIALLY COMPLETED, UNLESS OTHERWISE NOTED.

PHASE	UNIT No.	UNIT ADDRESS	UNIT AREA
26	61	224 ZELKOVA ROAD	1,997 S.F.
26	62	228 ZELKOVA ROAD	2,101 S.F.
26	63	232 ZELKOVA ROAD	1,957 S.F.



City of Williamsburg & County of James City
 Circuit Court: This PLAT was recorded on
 at 3:12 AM/PM, PE = PGS - 4
 DOCUMENT # 040800
 BETSY B. WOOLRIDGE, CLERK
Betsy B. Woolridge Clerk

SIGNED: *Jeffrey D. Williams*
 JEFFREY D. WILLIAMS, L.S.

