

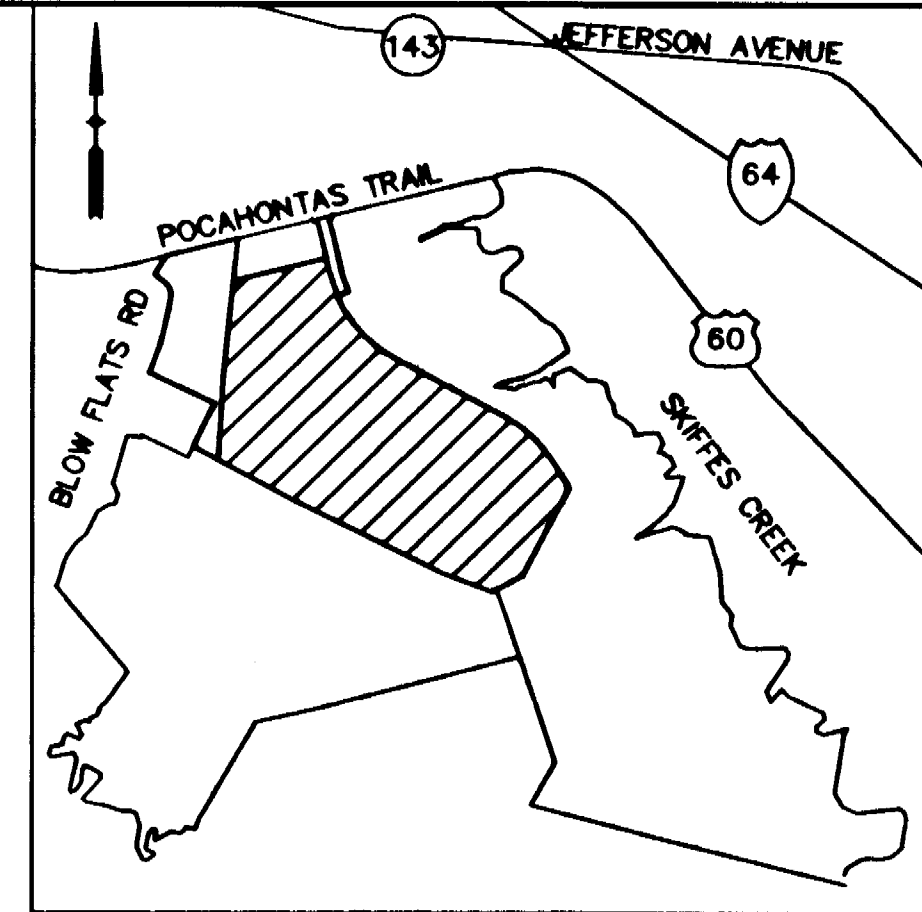
#040020635

N/F  
GREEN MOUNT  
ASSOCIATES, LLC  
D.B. 467, P. 198

U.S. ROUTE 60 (50' R/W)

MERIDIAN SHOWN IS BASED ON VIRGINIA STATE PLANE  
COORDINATES - SOUTH ZONE (NAD 83)(1986).

MERIDIAN M.B. 77, PG. 22 & 23



VICINITY MAP  
1"=2000'

N/F  
JAMES CITY CO.  
(59-2)(1-26)

N/F  
GREEN MOUNT  
ASSOCIATES, LLC  
D.B. 467, P. 198  
LOT 1A  
26.999 AC  
P.B. 77, P. 22-23  
TAX MAP  
(60-1)(1-9)

LOT 2B  
7.928 AC  
M.B. 77, P. 22-23  
TAX MAP  
(60-1)(1-10A)

LOT 3B  
TAX MAP (60-1)(2-3B)

LOT 3C  
TAX MAP (60-1)(2-3C)

LOT 3A  
TAX MAP (60-1)(1-4)

WAL-MART STORES EAST, INC.  
EXISTING  
LOT 2A  
161.402 AC  
P.B. 77, PP. 22-23  
TAX MAP (60-1)(1-10)

N/F  
COLONIAL  
PIPELINE  
COMPANY

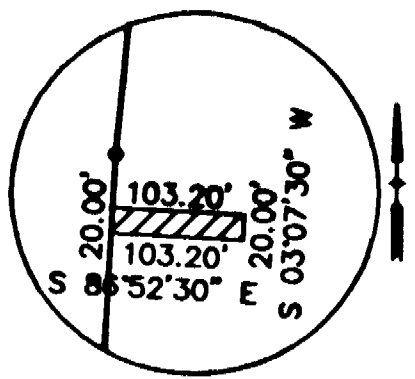
BLOW FLATS ROAD  
(R/W VARIES)

GREENMOUNT PARKWAY  
(120' R/W)

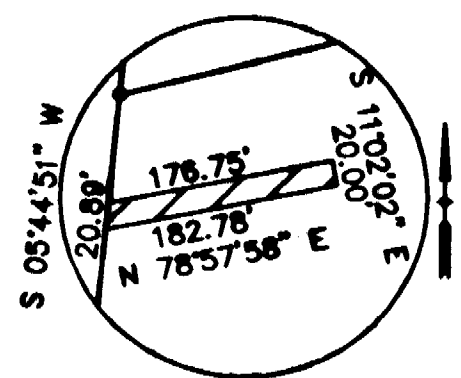
DRAINAGE EASEMENT #3  
SEE INSERT THIS PAGE

DRAINAGE EASEMENT #2  
SEE INSERT THIS PAGE

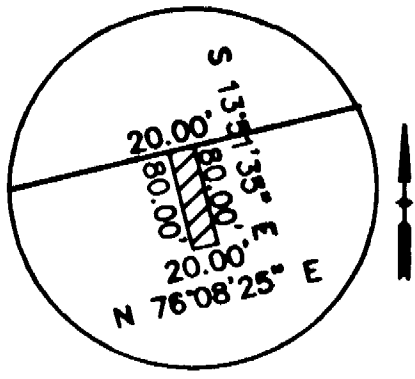
DRAINAGE EASEMENT #1  
SEE INSERT THIS PAGE



DRAINAGE EASEMENT #1  
AREA 2064 SF .05 AC



DRAINAGE EASEMENT #2  
AREA 3595 SF .08 AC

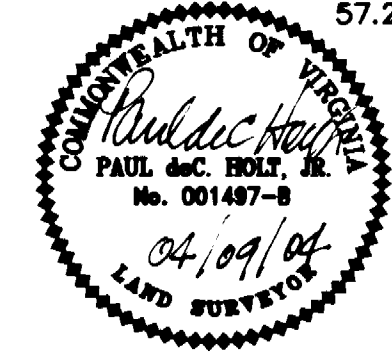
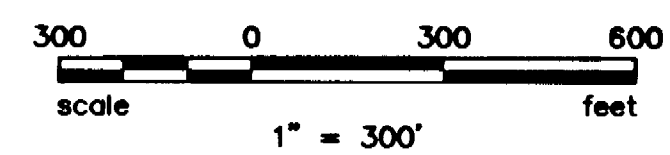


DRAINAGE EASEMENT #3  
AREA 1600 SF .04 AC

LOT 4  
242.9906 AC  
SUBDIVISION OF PROPERTY  
OF GREEN MOUNT ASSOCIATES  
P.B. 57 PGS. 38 & 39  
(59-2) (01-0-0047)

AREA TABLE

DRAINAGE EASEMENT NO. 1	2064	SF,	0.05	AC
DRAINAGE EASEMENT NO. 2	3595	SF,	0.08	AC
DRAINAGE EASEMENT NO. 3	1600	SF,	0.04	AC
TOTAL	7259	SF	0.17	AC



City of Williamsburg & County of James City  
Circuit Court: This PLAT was recorded on  
11 August 2004  
at 9:27 AM/PM. PB.      PG.       
DOCUMENT # 040020635  
BETSY B. WOOLRIDGE, CLERK  
*Betsy B. Woolridge* Clerk

**Patton Harris Rust & Associates, pc**  
Engineers. Surveyors. Planners. Landscape Architects.  
PHRA 195 Rosemont Road, Suite 101  
Virginia Beach, VA 23452  
T 757.497.7472 F 757.497.0250

SURVEY	BC/DH	<b>PLAT SHOWING</b> PRIVATE DRAINAGE EASEMENTS ON LOT 2A (RESUBDIVISION OF PROPERTY OF GREEN MOUNT ASSOCIATES, PB 77 PGS. 22 & 23) ROBERTS DISTRICT, JAMES CITY COUNTY, VA.			
FILE NAME:	DRAIN ESMT PLAT.DWG				
CHECKED:	PDH				
DRAWN:	BJF				
DATE:	04/09/04				
PROJECT NO:	10590-1-2	SCALE	1" = 300'	SHEET	1 OF 1