

#021294

87 PAGE 4

EXHIBIT B-12
SUPPLEMENTAL CONDOMINIUM PLAN
OF
WYNDHAM PLANTATION
CONDOMINIUM

WILLIAMSBURG, VIRGINIA
SCALE: 1"=10' JULY 18, 2002

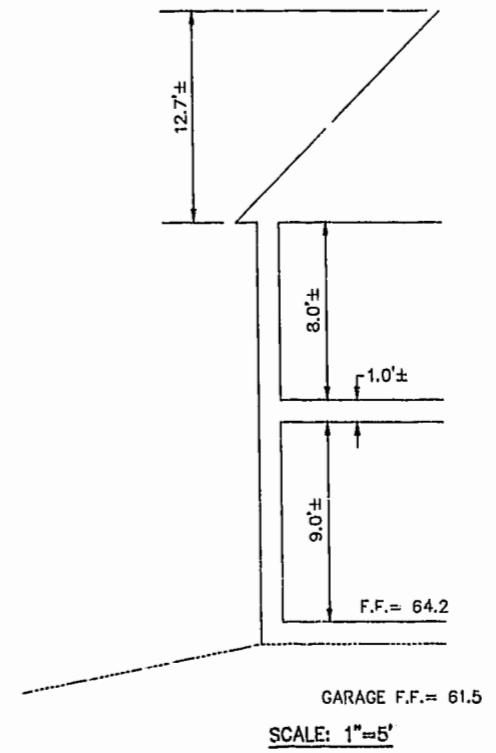
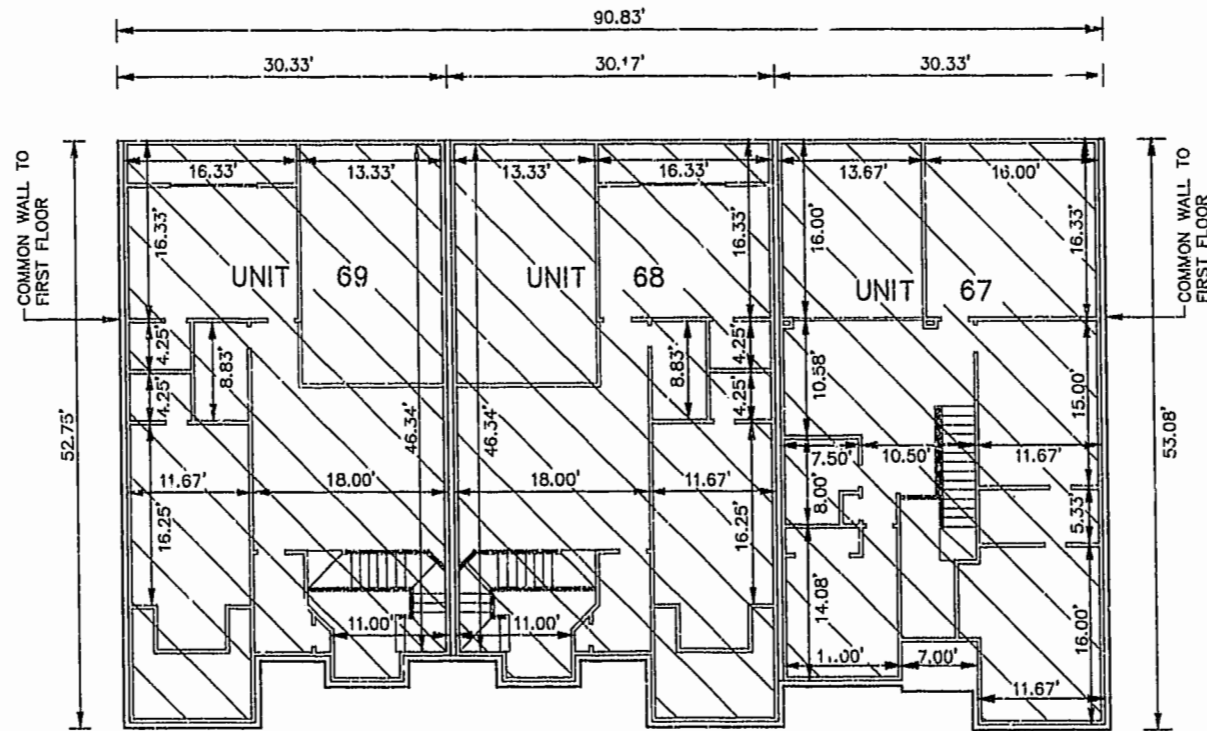
JOHN E. SIRINE AND ASSOCIATES, LTD.
SURVEYORS • ENGINEERS • PLANNERS
VIRGINIA BEACH, VIRGINIA
(757) 486-4910

NOTES:

1. BUILDING DIMENSIONS SHOWN HEREON ARE INTERIOR DIMENSIONS. THESE DIMENSIONS ARE IN FEET AND WERE TAKEN FROM PLANS SUPPLIED ENTITLED "WYNDHAM PLANTATION AT WILLIAMSBURG, FLOOR PLANS" BY PROGRESSIVE DESIGNS DATED 11/19/98.
2. INTERIOR UNIT CONFIGURATIONS AND PARTITIONS AS DEPICTED HEREON ARE FOR THE PURPOSE OF ILLUSTRATION ONLY AND MAY NOT REPRESENT THE INTERIOR OF A UNIT AS ACTUALLY CONSTRUCTED.

SECOND FLOOR - BUILDING 8

SCALE: 1"=10'



UNIT AREA

THE UNDERSIGNED CERTIFIES THAT THESE PLANS ARE ACCURATE AND COMPLY WITH THE PROVISIONS OF CODE OF VIRGINIA, SECTION 55-79.58.B AND THAT ALL UNITS OR PORTIONS THEREOF DEPICTED HEREON AND ALL COMMON ELEMENTS HAVE BEEN SUBSTANTIALLY COMPLETED.

PHASE	UNIT No.	UNIT ADDRESS	UNIT AREA
13	67	248 ZELKOVA ROAD	1,997 S.F.
13	68	252 ZELKOVA ROAD	2,101 S.F.
13	69	256 ZELKOVA ROAD	2,101 S.F.

SIGNED: Jeffrey D. Williams
JEFFREY D. WILLIAMS, L.S.



City of Williamsburg & County of James City
Circuit Court: This PLAT was recorded on
at 12:13 22 July 2002
AM/PM, PG. 87 PG. 1-4
DOCUMENT # 021294
BETSY B. WOOLRIDGE, CLERK
Betsy Woolridge, Dep. Clerk

