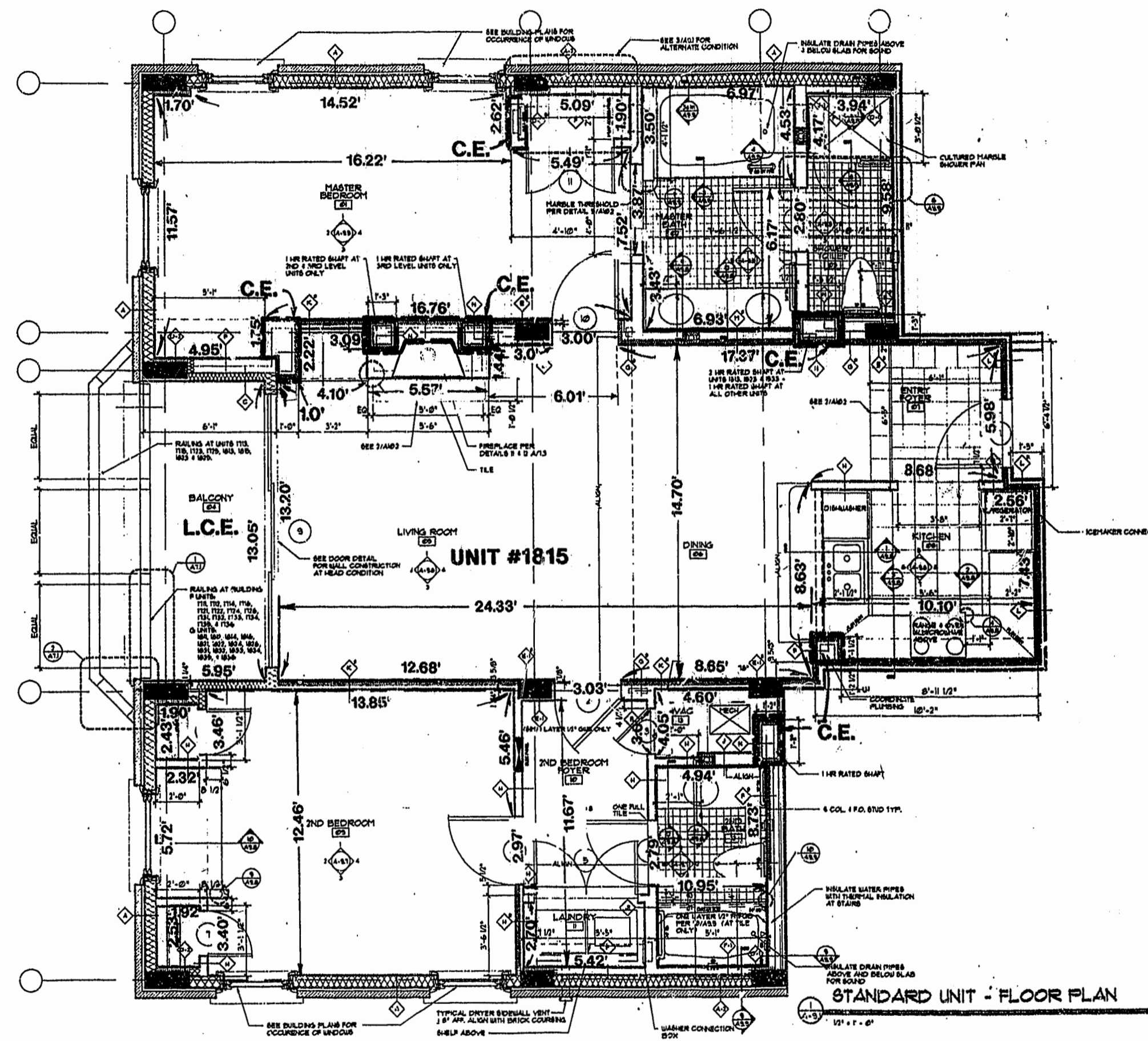


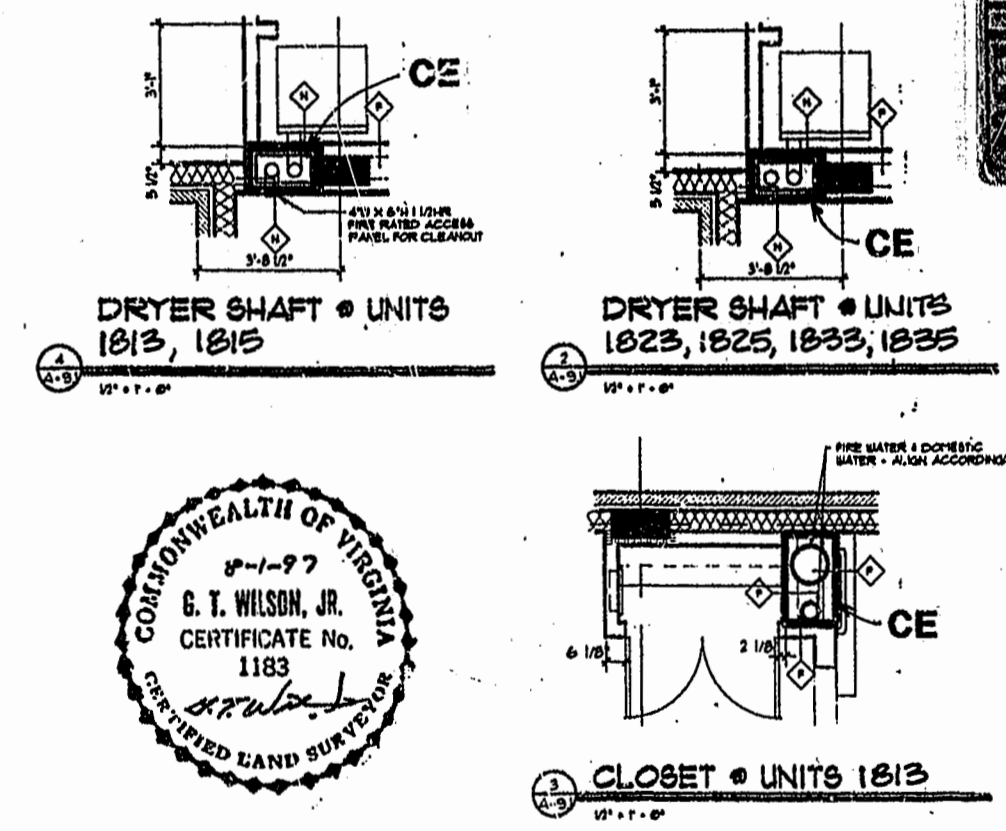
**NOTE:**  
**BOLD DIMENSIONS BASED ON ACTUAL FIELD MEASUREMENTS.**  
 OTHER DATA TAKEN FROM PLANS PER NICHOLS CARTER GRANT ARCHITECTS.



STANDARD UNIT FLOOR PLAN

UNIT NO.	ORIENTATION
1812	FLIPPED
1813	FLIPPED
1814	SAME
1815	SAME
1822	FLIPPED
1823	FLIPPED
1824	SAME
1825	SAME
1832	FLIPPED
1833	FLIPPED
1834	SAME
1835	SAME

BOLD DIMENSIONS SHOWN ARE TYPICAL AND BASED ON ACTUAL FIELD MEASUREMENTS OF UNIT #1816.

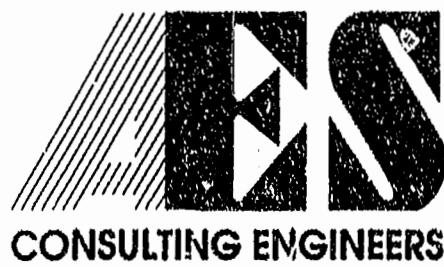


**SURVEYOR'S CERTIFICATE**

I, HEREBY CERTIFY THAT TO THE BEST OF MY KNOWLEDGE AND BELIEF, THIS IS A CORRECT AND ACCURATE PLAN AND THAT THIS PLAN IS IN COMPLIANCE WITH THE VIRGINIA CODE ANNOTATED SUBSECTIONS 55-79.58B AND E. I FURTHER CERTIFY THAT ALL UNITS OR PORTIONS THEREOF DEPICTED HEREON HAVE BEEN SUBSTANTIALLY COMPLETED.

G. T. Wilson, Jr.  
 G. T. WILSON, JR., C.L.S.      DATE 8-1-97

Recorded 21 day of April 1998  
 DOCUMENT # 98000 71 7a  
Richard Woodrider Clerk  
 PLAT RECORDED IN  
 P.B. NO. 69 PAGE 16-24



5248 Olde Towne Road, Suite 1  
 Williamsburg, Virginia 23188  
 (804) 253-0040  
 Fax (804) 220-8994

**EXHIBIT A-3**  
**PLAT OF CONDOMINIUM**  
**MANOR CLUB**  
**AT FORD'S COLONY**  
 PHASE VII  
 OWNER/DEVELOPER: MARRIOTT OWNERSHIP RESORTS, INC.  
 POWHATAN DISTRICT JAMES CITY COUNTY VIRGINIA

No.	DATE	REVISION / COMMENT / NOTE	BY

Designed <b>ADS</b>	Drawn <b>RMJ</b>
Scale <b>NONE</b>	Date <b>8/1/97</b>
Project No. <b>7739-CE</b>	
Drawing No. <b>8 of 9</b>	