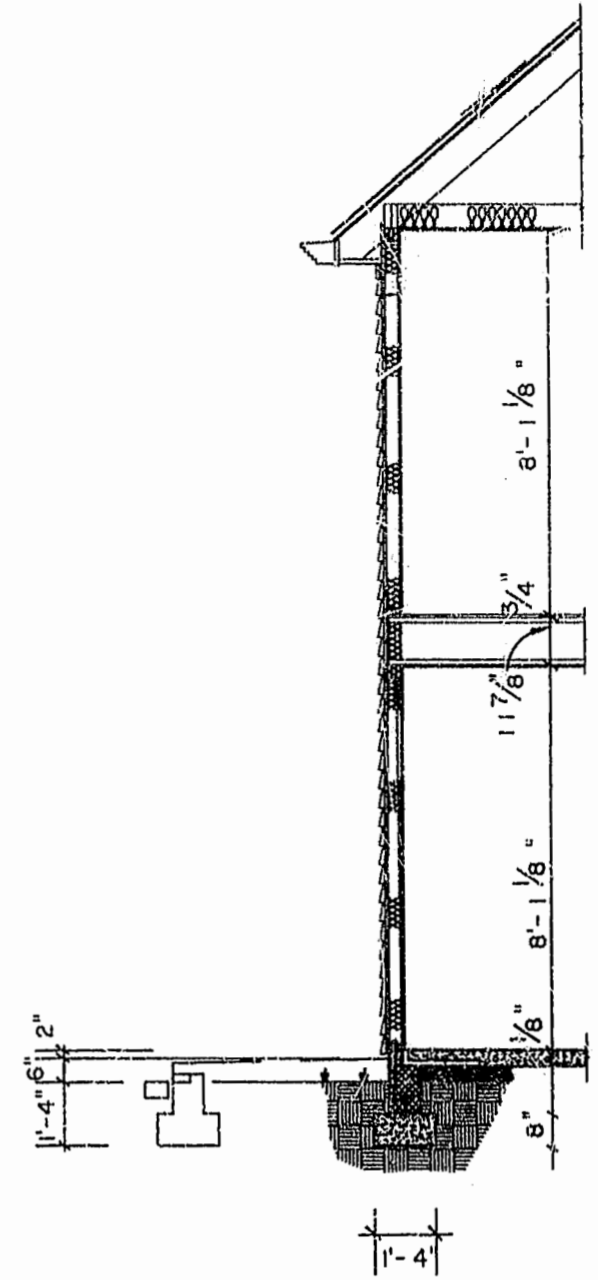
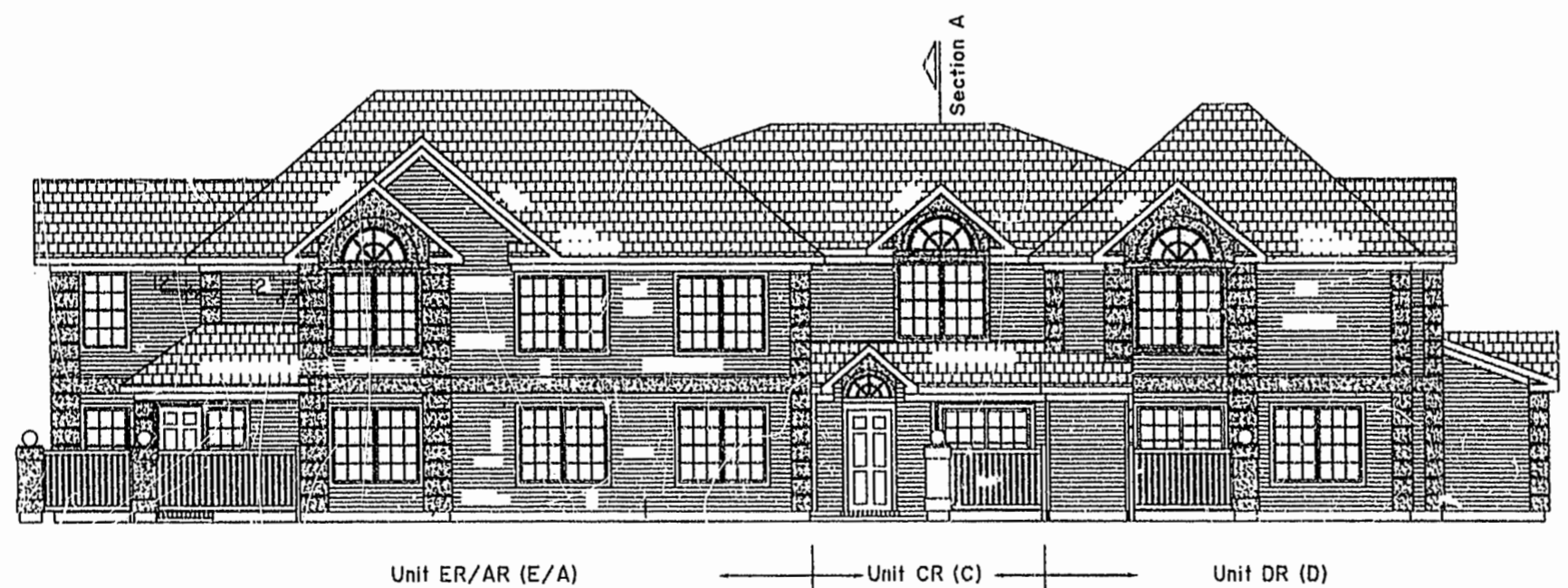


Roof Plan
Scale: N.T.S.



TYPICAL WALL SECTION
SCALE: 1" = 10'



Unit ER/AR (E/A) Unit CR (C) Unit DR (D)

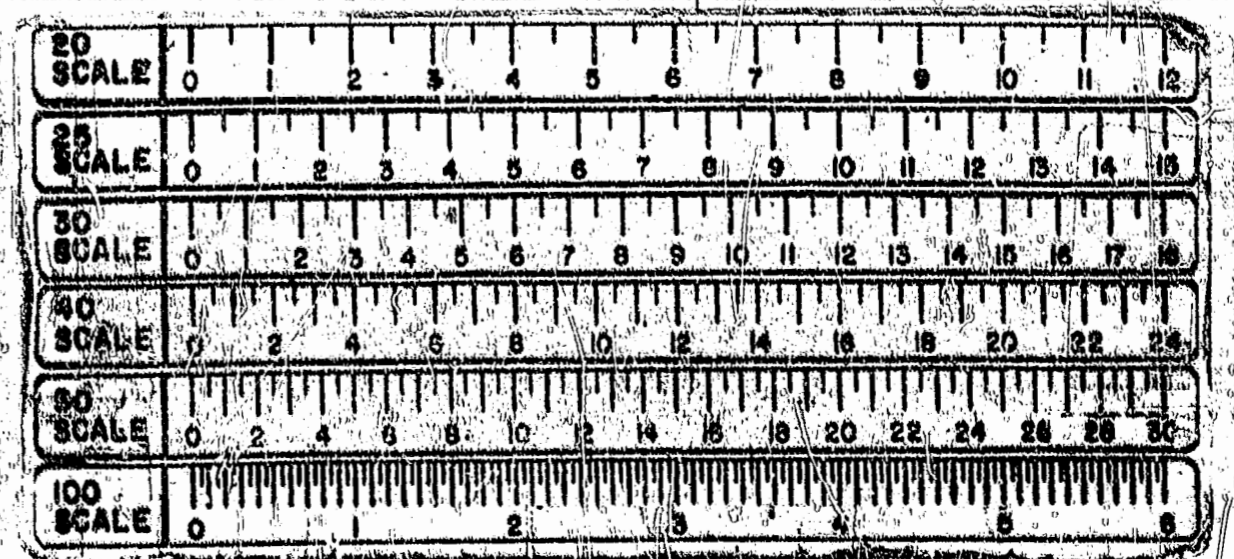
Elevation A
Scale: 1" = 10'



EXHIBIT E-1
LAFONTAINE CONDINIUMS
AT
WILLIAMSBURG CROSSING
BUILDING PLAN
FOR
THE FRANCISCUS COMPANY
JAMESTOWN DISTRICT JAMES CITY COUNTY, VIRGINIA

Recorded *10:23 Am*
10/23/96
in *City of Williamsburg*
D.B. No. *821 0008 212*
Walter D. Smith

Hassell & Folkes, P.C. Engineers Surveyors Planners Chesapeake, VA, 23320 (804) 547-9531	SIZE C	CONTRACT NO. 65/13	DISK/BOX 65/13	FILENAME LFWCRSS.ZIP	REV.
SCALE: 1" = 10'		DATE: 08/16/96		SHEET 6 of 6	



C:\ACAD12\LAFONTAINE\LF-M1 Tue Sep 10 17:04:05 96 LAFONTAINE CONDOS-WILLIAMSBURG CROSSING-FINAL PLOT