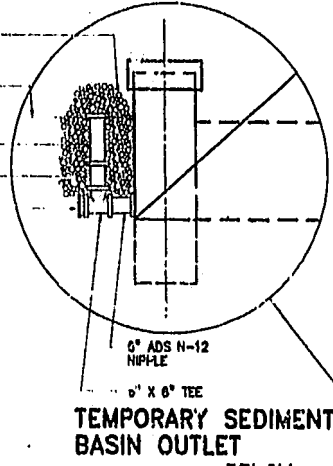
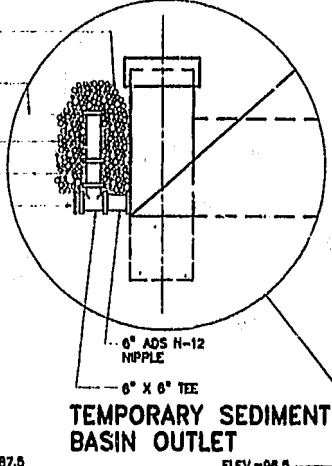


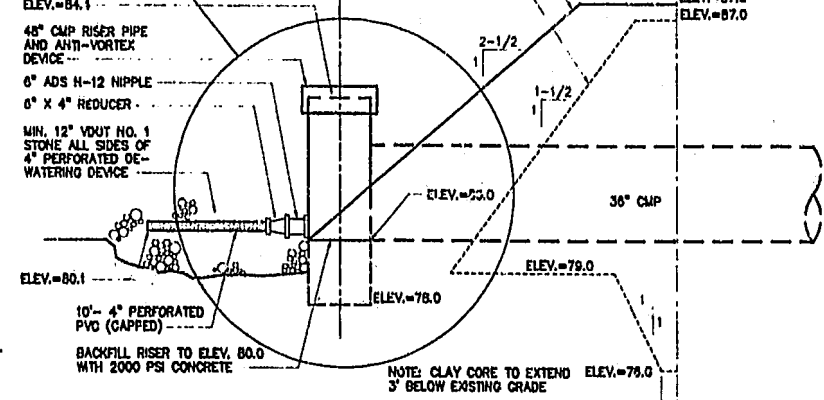
OFFSITE DRAINAGE CHANNEL



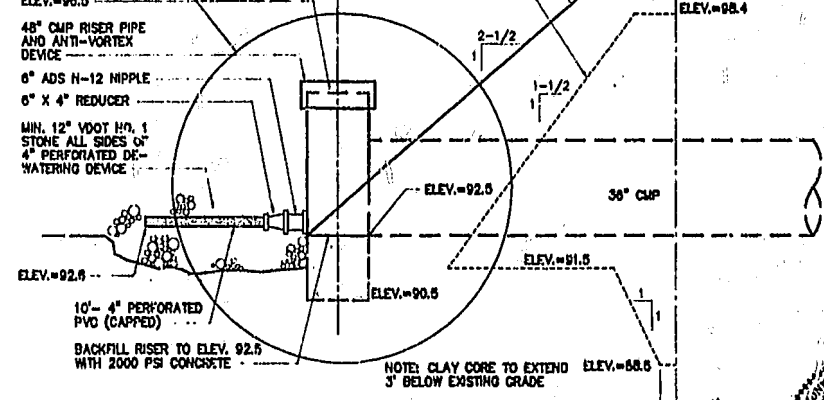
TEMPORARY SEDIMENT BASIN OUTLET



TEMPORARY SEDIMENT BASIN OUTLET



PERMANENT BMP A OUTLET
NOT TO SCALE



PERMANENT BMP B OUTLET
NOT TO SCALE

