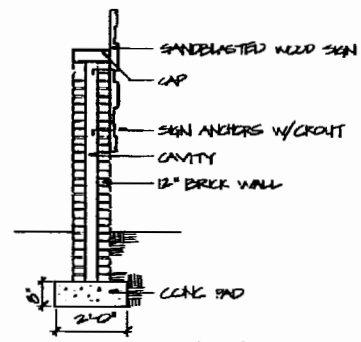
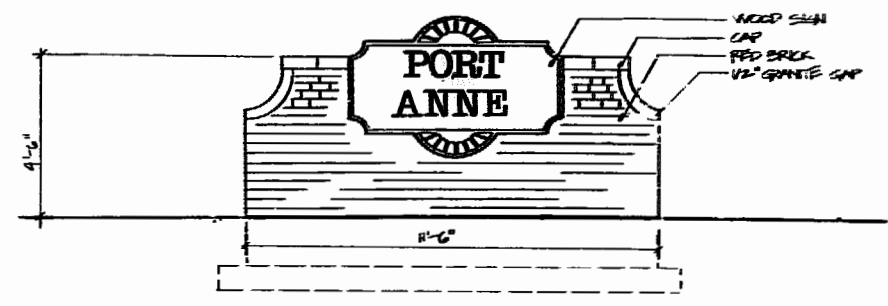


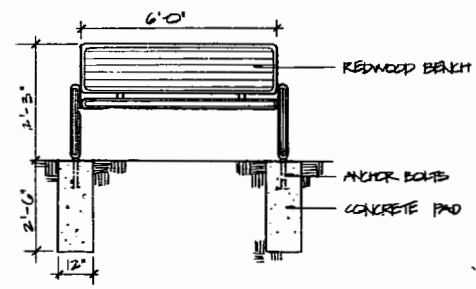
**TYPICAL TRASH RECEPT. ELEVATION**  
SCALE: 1/2" = 1'-0"



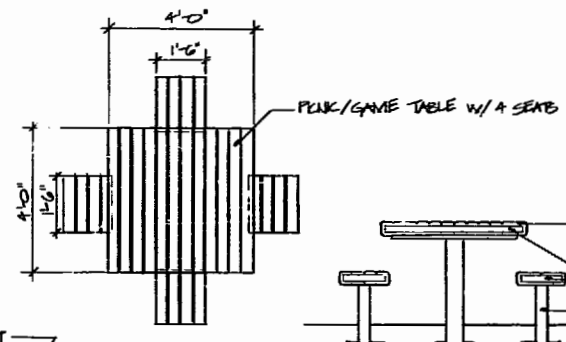
**SIGN ENTRANCE SECTION**  
SCALE: 1/2" = 1'-0"



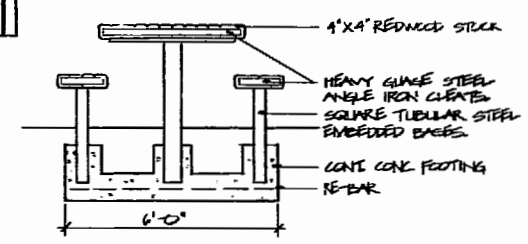
**SIGN ENTRANCE ELEVATION**  
SCALE: 1/2" = 1'-0"



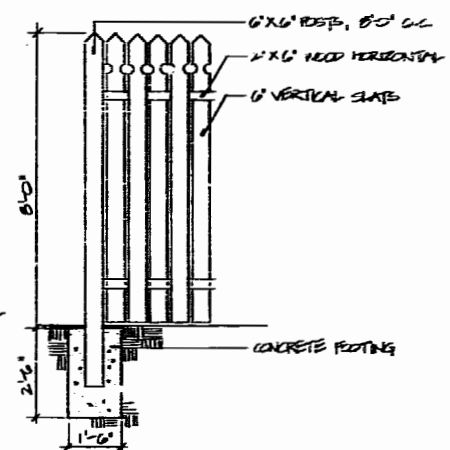
**TYPICAL BENCH ELEVATION**  
SCALE: 1/2" = 1'-0"



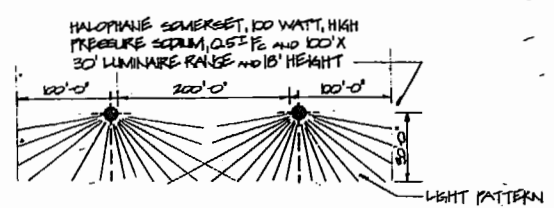
**TABLE PLAN**  
SCALE: 1/2" = 1'-0"



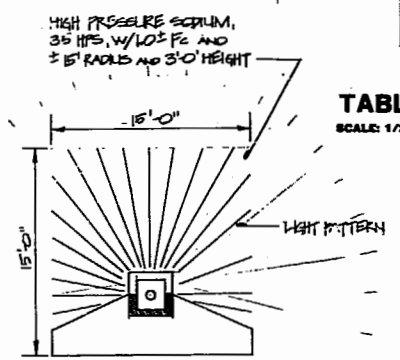
**TYPICAL TABLE ELEVATION**  
SCALE: 1/2" = 1'-0"



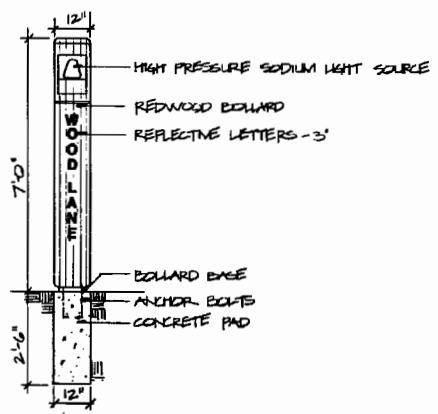
**TYPICAL SCREEN FENCING ELEVATION**  
SCALE: 1/2" = 1'-0"



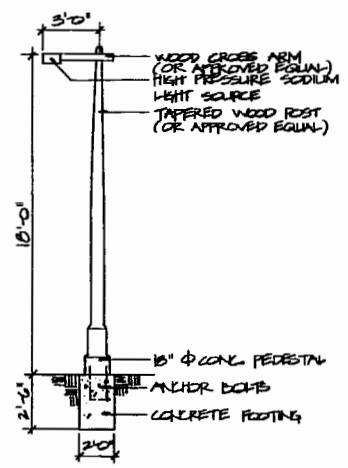
**STREET LIGHT DETAIL**



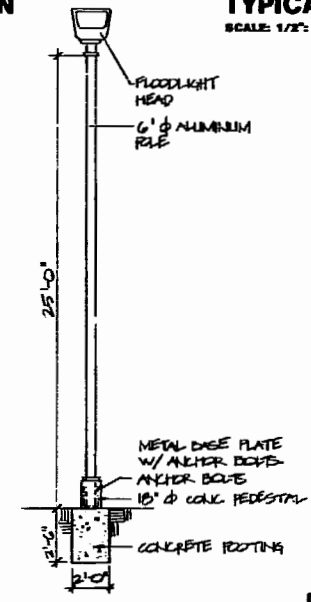
**BOLLARD TYPE 3415**



**TYPICAL STREET SIGN**  
SCALE: 1/2" = 1'-0"



**STREET LIGHT DETAIL**  
SCALE: 1/4" = 1'-0"



**TYPICAL REC. AREA LIGHT ELEVATION**  
SCALE: 1/4" = 1'-0"

**SITE AMENITIES LEGEND**

Bench: California Redwood, "Soft Edge" style. Columbia Cascade Timber Company, Woodford Model No. 3656 (located at picnic area on common ground).  
Table and Seats: Square redwood table with square tubular steel embedded base. Type - Form 3 STEADY and 17" seats. Form 3 SPE1916. Manufactured by Landscape Forms (located at picnic area on common ground).  
Trash Receptacles: 3' high California Redwood enclosure with "Soft Edge" style. Columbia Cascade Timber Company, Woodford Model No. 3741 (located at common ground picnic area and recreational area).  
Screen Fencing: 8' redwood slat fence located around dumpster and back of swimming pool. See Index Sheet II for location.  
Entrance Sign: Hand carved redwood, manufactured by Wood Smiths Sign Systems.

THESE PLANS ARE FOR THE RECORDATION OF PORT ANNE PHASE II-A PLATS ONLY, ANY OTHER PART OF THESE PLANS ARE PRELIMINARY.

**DETAILS (SIGNAGE & LIGHTING)**  
**PORT ANNE**  
PHASE TWO/THREE  
WILLIAMSBURG, VIRGINIA

Designed:	WCR/CFL
Drawn:	T/A
Checked:	ADB
Scale:	U.T.S.
Date:	8/30/85
File No.:	E-84018
Project No.:	84018A
Sheet No.:	