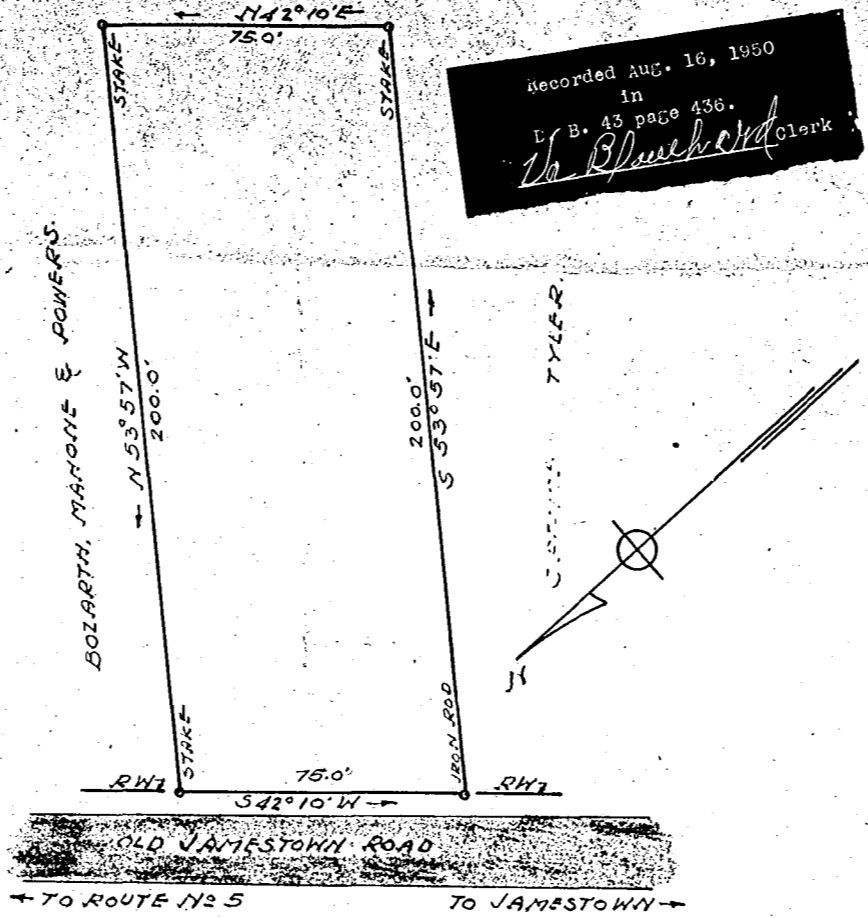


--- PART OF ---  
**INDIAN SPRINGS SUBDIVISION**  
 PLAT SHOWING SURVEY OF LOT  
 NO. 44 & PART OF LOT NO. 43  
 SITUATED IN THE CITY OF  
 WILLIAMSBURG, VIRGINIA.  
 JULY 1947 SCALE 1"=20'

Recorded Aug. 1, 1950  
 in  
 D. B. 23 page 275  
*Va. Bluebird* Clerk

VINCENT D. MEMANUS  
 SURVEYING & MAPPING  
 WILLIAMSBURG, VIRGINIA

**BOZARTH, MAHONE & POWERS**

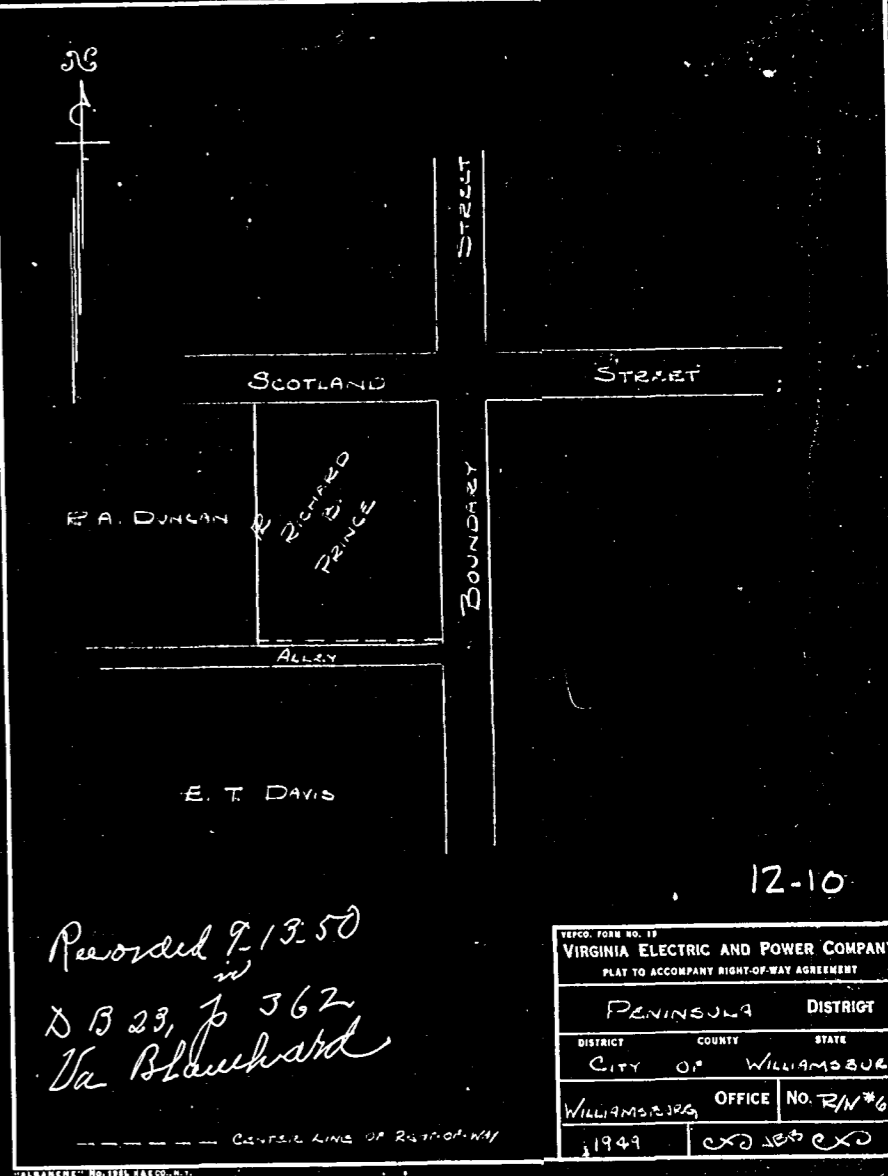


Recorded Aug. 16, 1950  
 in  
 D. B. 43 page 436.  
*Va. Bluebird* Clerk

PLAT SHOWING PROPERTY SURVEYED FOR  
 ~ BOZARTH, MAHONE & POWERS ~  
 LOCATED IN JAMES CITY COUNTY, VIRGINIA.  
 SURVEYED IN MAY 1947 ~ SCALE 1"=200'

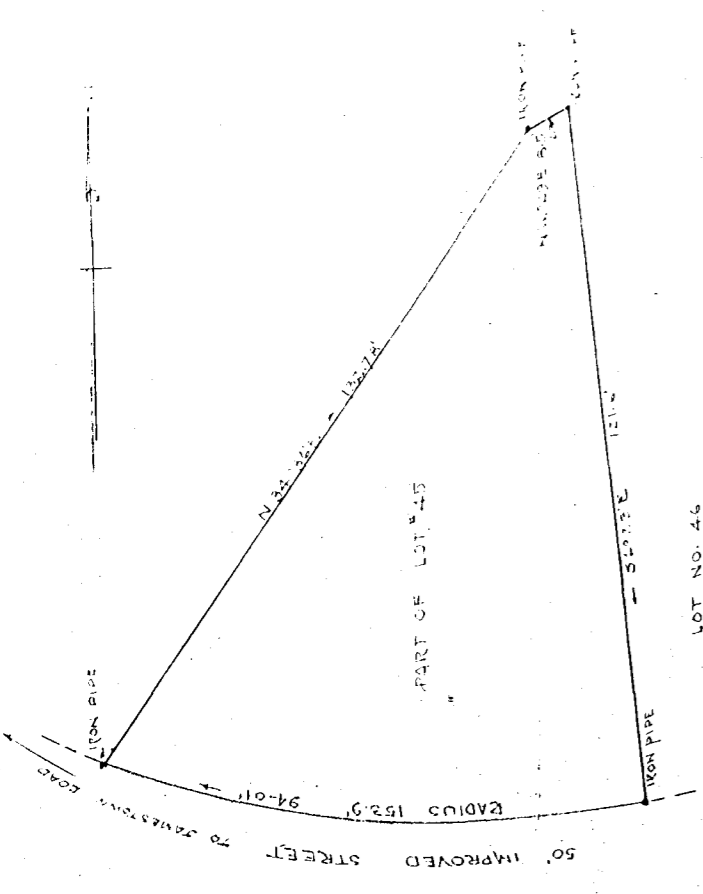
REVISIONS  
 1. BY ORDER OF THE CHIEF ENGINEER  
 THE CHESAPEAKE AND OHIO RAILWAY COMPANY  
 RICHMOND, VIRGINIA  
 PROPERTY TO BE CONVEYED TO  
**BETTY CLAY SHINHOLSER**  
**TOANO**  
 JAMES CITY COUNTY, VIRGINIA  
 RICHMOND DIVISION - PENINSULA SUBDIVISION  
 SCALE: 1"=100'  
 DATE: 8-22-49  
 DRAWN BY: C.K.V.  
 CHECKED BY: C.K.V.  
 V-2  
 32-A  
 13877-3-P  
 DRAWING NO.

LEGEND  
 INDICATES PROPERTY TO BE CONVEYED  
 Recorded Aug. 2nd, 1950  
 D. B. 43, page 407  
*Va. Bluebird* Clerk



Recorded 9.13.50  
 in  
 D. B. 23, p. 362  
*Va. Bluebird*

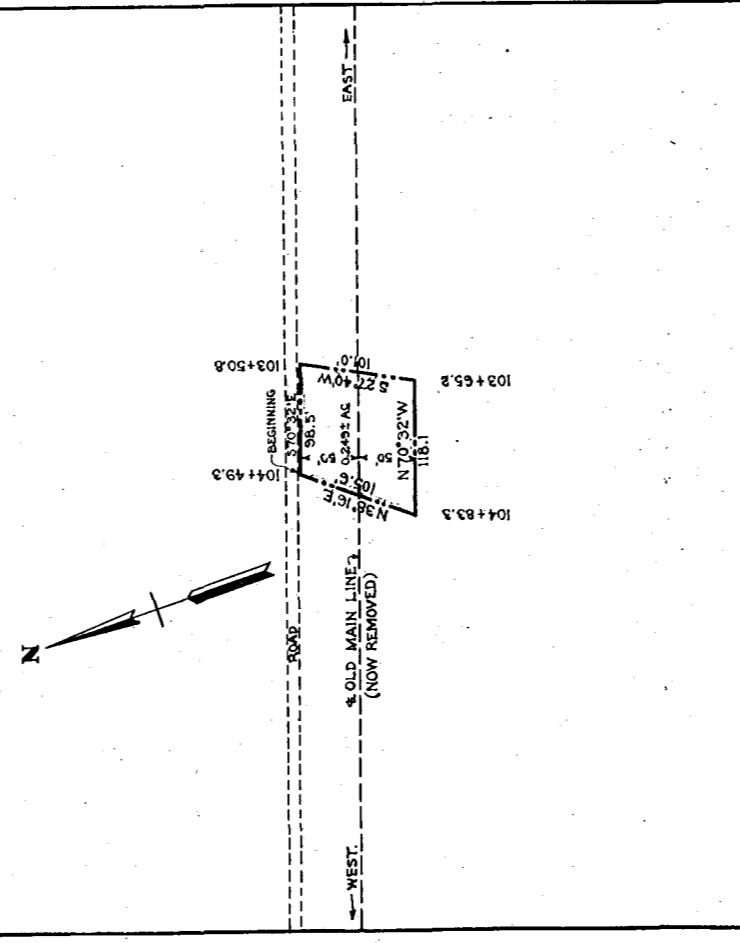
REC'D. FORM NO. 19  
**VIRGINIA ELECTRIC AND POWER COMPANY**  
 PLAT TO ACCOMPANY RIGHT-OF-WAY AGREEMENT  
**PENINSULA** DISTRICT  
 DISTRICT COUNTY STATE  
 City of WILLIAMSBURG  
 WILLIAMSBURG OFFICE NO. 211-29  
 1949



--- PART OF ---  
**INDIAN SPRINGS SUBDIVISION**  
 PLAT SHOWING SURVEY OF PART  
 OF LOT NO. 45 SITUATED IN THE  
 CITY OF WILLIAMSBURG, VIRGINIA.  
 JULY 1947 SCALE 1"=20'

Recorded Aug. 1, 1950  
 in  
 D. B. 23 page 275  
*Va. Bluebird* Clerk

VINCENT D. MEMANUS  
 SURVEYING & MAPPING  
 WILLIAMSBURG, VIRGINIA



LEGEND  
 INDICATES PROPERTY TO BE CONVEYED