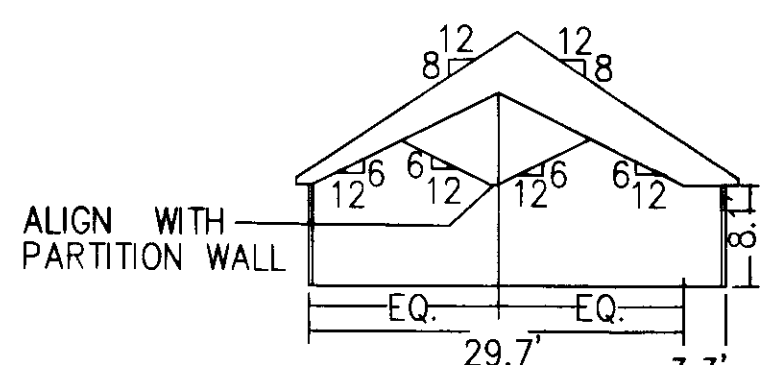
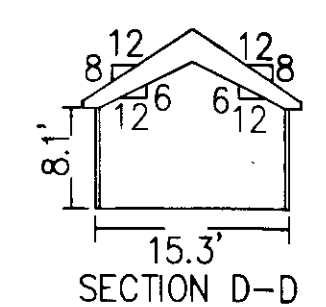


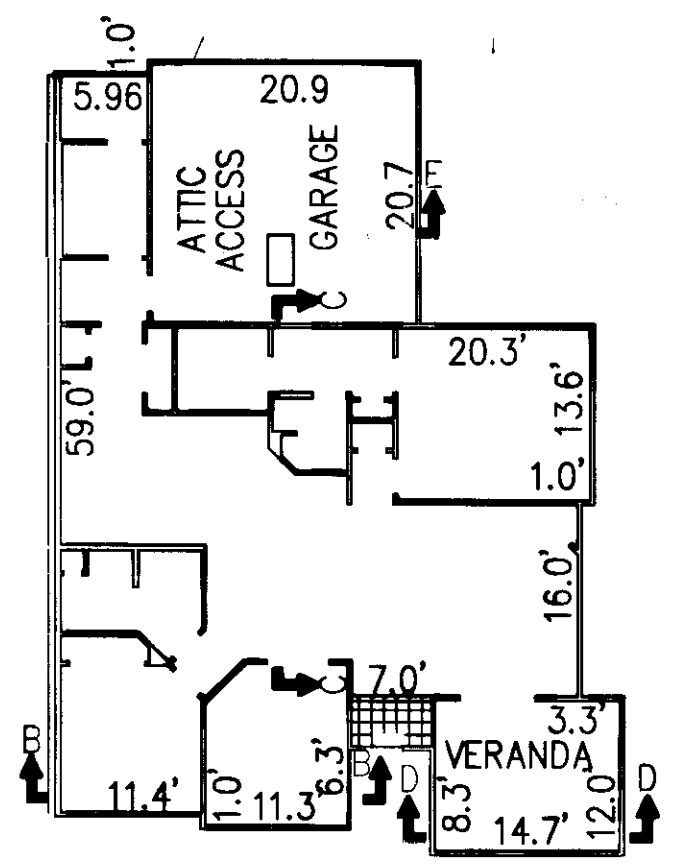
SECTION B-B



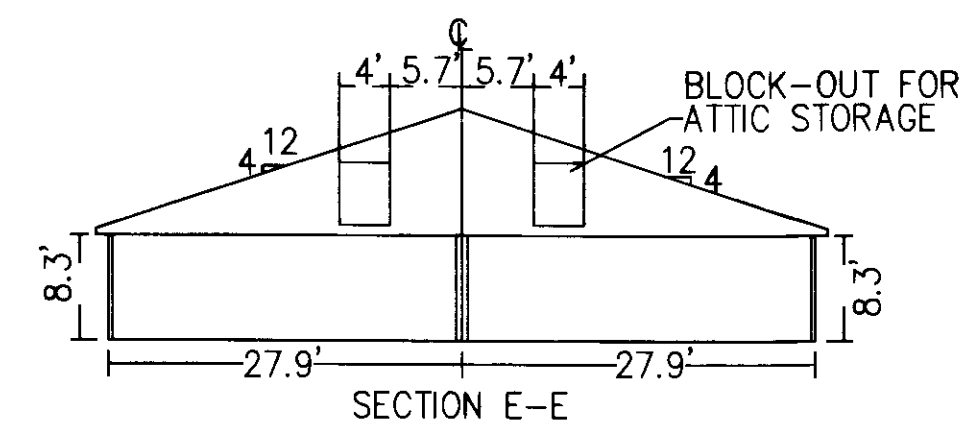
SECTION C-C



SECTION D-D



UNITS 16-A, 16-B & 16-C
CANTERBURY
FLOOR PLAN



SECTION E-E

STATE OF VIRGINIA
JAMES CITY COUNTY

IN THE CLERK'S OFFICE OF THE CIRCUIT COURT FOR JAMES CITY COUNTY, VIRGINIA. THIS MAP WAS PRESENTED AND ADMITTED TO RECORD AS THE LAW DIRECTS THIS 30TH DAY OF July 2014 AT 12:09 PM.

INSTRUMENT # 140012256
TESTES:
by: Patrick Qualrose, Deputy Clerk

I CERTIFY THAT THESE PLANS ARE ACCURATE AND COMPLIES WITH THE PROVISIONS OF SECTION 55-79.58(B) OF THE CODE OF VIRGINIA OF 1950 AS AMENDED AND ALL UNITS SHOWN HEREON HAVE BEEN SUBSTANTIALLY COMPLETED.

NAME: [Signature] 1430
REGISTRATION NO.

DATE: JULY 18, 2014



EXHIBIT "D" PLANS OF VILLAS AT FIVE FORKS A CONDOMINIUM PHASE 21 BUILDING 16, UNITS A,B,C JAMES CITY COUNTY, VIRGINIA		POINT OF BEGINNING, LLC LAND SURVEYING 101 EDGEWARE CT. CHESAPEAKE, VA. 23322 TELEPHONE: (757) 547-3686 FAX: (757) 547-5701	
		DRAWN: DHW COMP.: DHW CHECKED: GWM	DATE: 07/14/14 SCALE: 1"=10'

3 Large Scale Plans Recorded
Instrument # 140012256