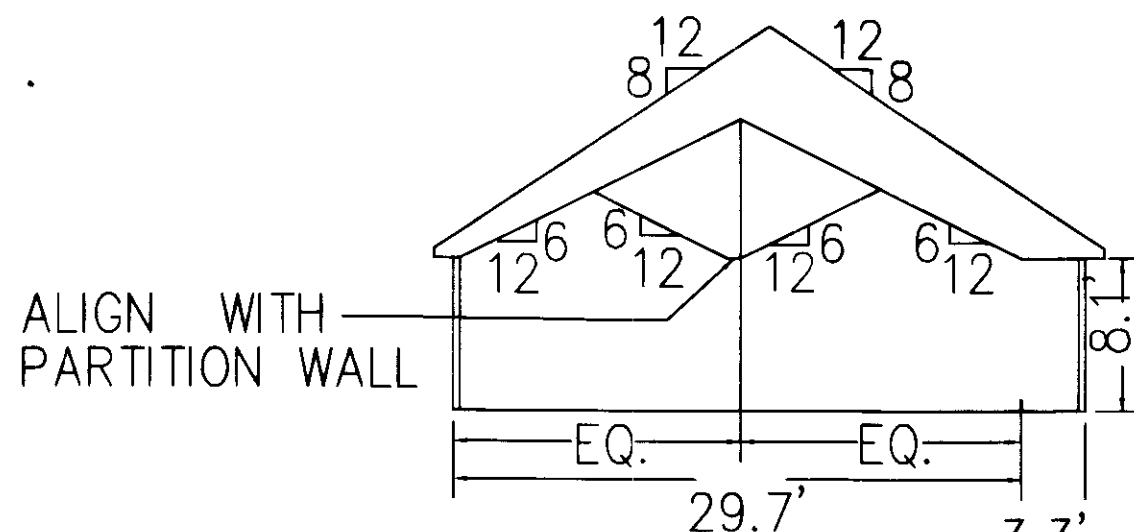
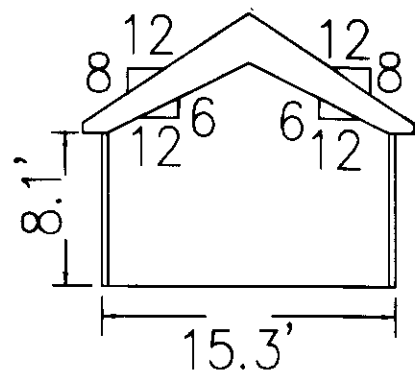


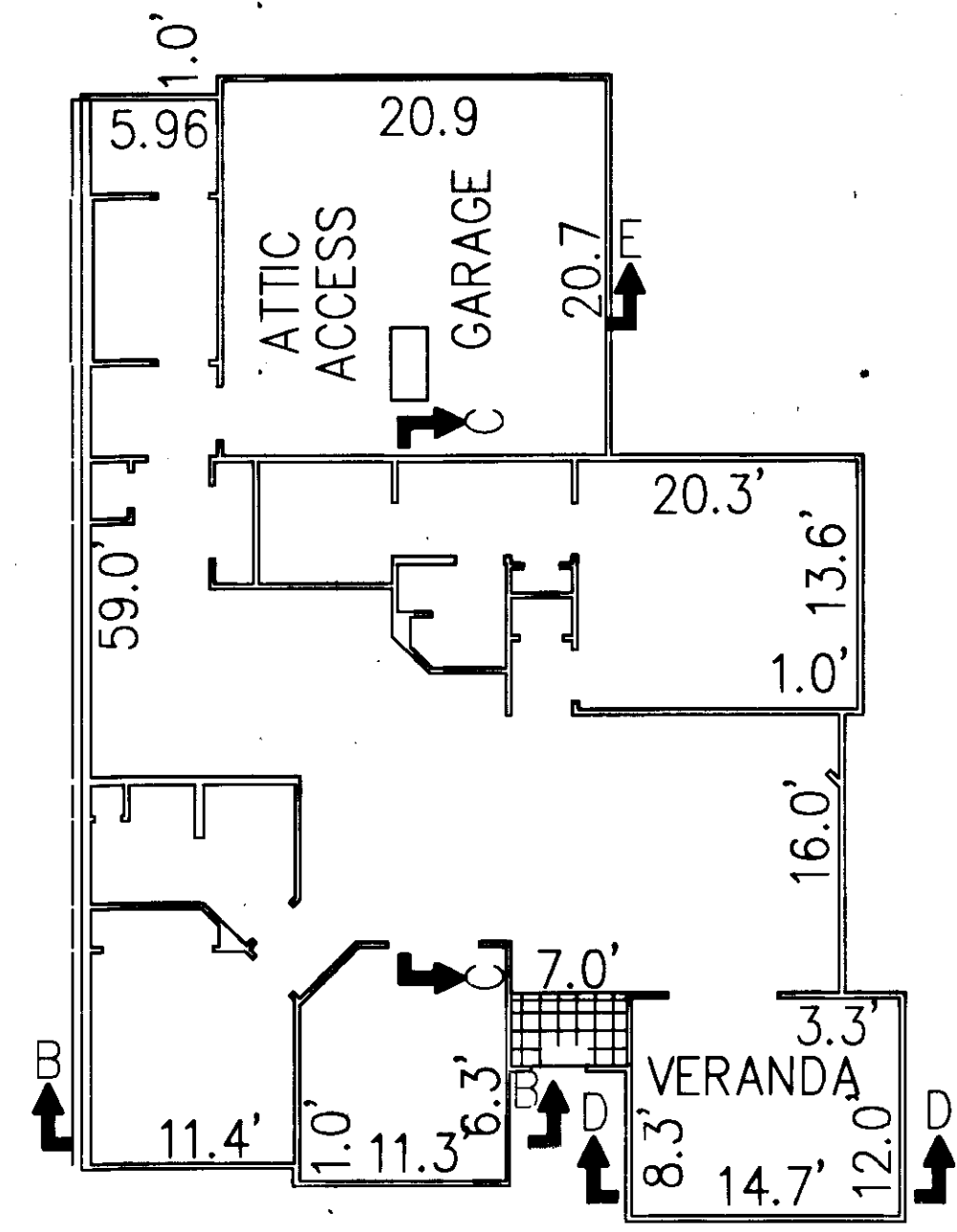
SECTION B-B



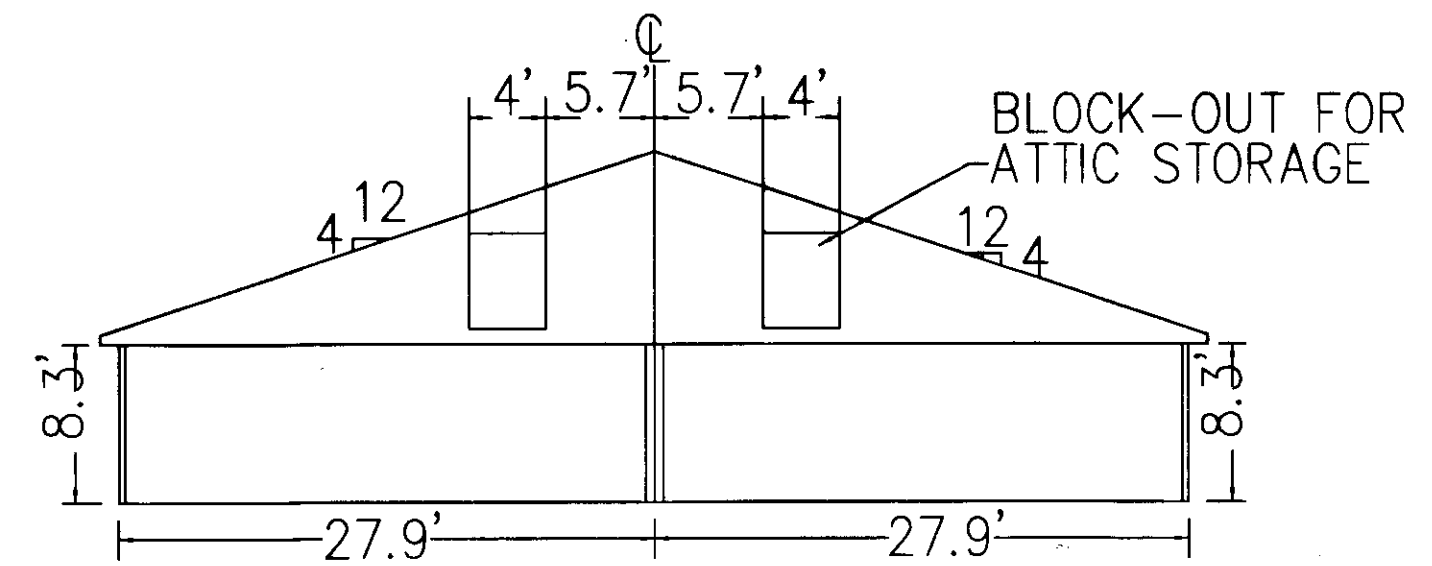
SECTION C-C



SECTION D-D



BUILDING 7-A, 7-B & 7-C  
CANTERBURY  
FLOOR PLAN



SECTION E-E

~~3~~ ~~140011580~~

STATE OF VIRGINIA  
JAMES CITY COUNTY

IN THE CLERK'S OFFICE OF THE CIRCUIT COURT FOR JAMES CITY COUNTY, VIRGINIA. THIS MAP WAS PRESENTED AND ADMITTED TO RECORD AS THE LAW DIRECTS THIS 17<sup>th</sup> DAY OF July, 2014 AT 9:19 AM/PM.

INSTRUMENT # 140011580  
TESTES: ~~XXXXXXXXXX~~  
TESTES: dmy story DC

I CERTIFY THAT THESE PLANS ARE ACCURATE AND COMPLIES WITH THE PROVISIONS OF SECTION 55-79.58(B) OF THE CODE OF VIRGINIA OF 1950 AS AMENDED AND ALL UNITS SHOWN HEREON HAVE BEEN SUBSTANTIALLY COMPLETED.

[Signature] 1430  
NAME REGISTRATION NO.

JULY 14, 2014  
DATE

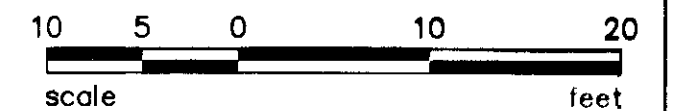
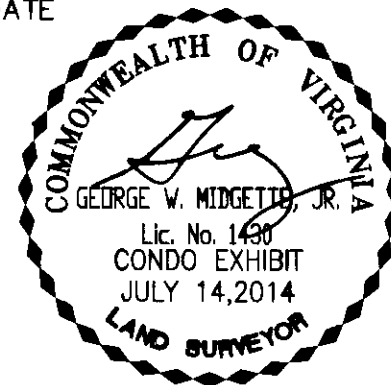


EXHIBIT "D" PLANS OF VILLAS AT FIVE FORKS A CONDOMINIUM PHASE 20 BUILDING 7, UNITS A,B,C JAMES CITY COUNTY, VIRGINIA		POINT OF BEGINNING, LLC LAND SURVEYING 101 EDGEWARE CT. CHESAPEAKE, VA. 23322 TELEPHONE: (757) 547-3686 FAX: (757) 547-5701	
		DRAWN: DHW COMP.: DHW CHECKED: GWM	DATE: 07/14/14 SCALE: 1"=10'
JOB#14-041		3 SHEET: 3 of 3	