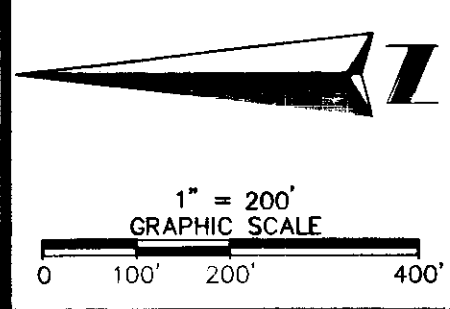


6Di NORTH ARROW & SCALE



LINE TABLE - TRACT 1

LINE	BEARING	LENGTH
L41	N07°15'23"E	151.69'
L42	N08°04'21"E	127.19'
L43	N11°56'56"E	142.60'
L44	N11°56'56"E	62.48'
L45	N47°40'20"W	66.14'
L46	S80°45'00"E	35.58'
L47	N69°40'00"W	37.00'
L48	N23°45'00"W	34.64'
L49	N04°13'29"E	52.23'
L50	S82°41'30"W	25.55'
L51	S82°40'09"W	54.95'
L52	N59°27'00"E	162.20'
L53	S75°26'00"E	80.00'
L54	S30°40'01"E	359.25'
L55	S38°10'00"E	32.69'
L56	S63°20'00"E	130.00'
L57	S22°30'00"E	251.97'

L58	S84°53'00"E	312.92'
L59	S05°07'00"W	30.00'
L60	S84°52'54"E	85.47'
L61	S16°48'19"E	126.40'
L62	S09°00'00"W	21.94'
L63	S60°14'55"W	40.61'
L64	S69°01'00"W	79.40'
L65(C)	N76°10'00"W	138.93'
L65(P)	N76°10'00"W	133.28'
L66(C)	N34°08'00"W	105.30'
L66(P)	N34°08'00"W	121.77'
L67	N38°41'00"E	197.34'
L68	N38°41'00"E	229.38'
L69	N82°41'30"E	54.09'
L70	S05°07'00"W	208.82'
L71	S26°30'17"E	61.37'
L72	N63°29'43"E	75.00'
L73	S26°30'19"E	155.00'
L74	S63°29'43"W	25.00'
L75	N26°30'17"W	130.00'
L76	S63°29'43"W	75.00'

13 FORD'S COLONY AT WILLIAMSBURG SECTION 2

LOT	OWNER	PIN
187	TAHEY, PHILLIP & KIM R	3710200187
188	GODFREY, DOUGLAS B TRUSTEE & JEANETT	3710200188
189	DEROSA, RALPH R & MICHELE C	3710200189
190	PAUTLER, PAUL F & NANCY K	3710200190
191	HUGHES, FRANK T & BEATRICE	3710200191
192	WARREN, ROBERT A TRUSTEE & CHRISTINE	3710200192
193	KROLL, ROBERT C	3710200193
194	WHITMORE, THOMAS B III & KATHLEEN N	3710200194
195	GUTH, LLOYD TRUSTEE	3710200195
196	WALKER, DAVID G TRUSTEE	3710200196
209	BRICKEY, MICHAEL J & LISA HARDEN	3710200209
210	ANDREWS, WAYLAND D TRUSTEE	3710200210
211	MCLAUGHLIN, DIANA L TRUSTEE	3710200211
213	SCORDO, JOSEPH A	3710200213
214	MCBRIDE, MICHAEL P	3710200214
215	FINN, WILLIAM A & JANET S	3710200215
216	COUSINS, HELEN Z & SOGOLOFF, BRUCE S	3710200216
217	WROBEL, CORI C TRUSTEE	3710200217

13 FORD'S COLONY AT WILLIAMSBURG SECTION 5

LOT	OWNER	PIN
16	HAYWOOD, CHERYL J	3710500016
18	BUGELATO, JOHN C & KAREN M	3710500018
21	VAN KIRK, RONALD & LINDA L	3710500021
22	MULFORD, ROBERT A & JOAN B	3710500022
23	AHLSTROM, LEE A TRUSTEE & JUDITH A T	3710500023
24	TURNAU, DOROTHY S TRUST	3710500024
31	MACMILLAN, ELAINE TRUSTEE	3130600031
32	SCHAEFFER, WILLIAM P & SUE J	3130600032
33	GOWEN, CLARENCE W JR & MARILYN A	3130600033

FORD'S COLONY AT WILLIAMSBURG SECTION 3

LOT	OWNER	PIN
21	LAWSON, JOHN R, II	3710300021
22	ZINNI, ANTHONY C TRUSTEE & DALE E TR	3710300022
23	WILSON, CLARENCE A & SUE C	3710300023
24	EDWARDS, CHERYL A	3710300024
27	ZOLAD, ROBERT R & CHARLENE	3710300027
28	SCHUCHTER, GARY L & BARBARA F	3710300028
29	JACKSON, RICHARD H & LINDA J	3710300029
30	O'CONNOR, DAVID F & MARY E	3710300030
31	COOPER, LENORE TRUSTEE	3710300031
32	ELLER, JAMES E, III	3710300032
33	SCHUBERT, MITCHELL L & LINDA F	3620300033
34	GULLETT, HARRY L TRUSTEE	3710300034
35	KLEIN, BRUCE O TRUSTEE & MARIAN B TR	3710300035
36	TAYLOR, MICHAEL G & ELLEN M	3710300036
37	CLARK, ALAN M & CYNTHIA DELANEY	3710300037
38	COLLINS, GEORGE H	3710300038
39	FREYFOGLE, EDWARD TRUSTEE JR & MARIA	3710300039
40	JANARO, THOMAS P TRUSTEE & PAMELA K	3710300040
41	ALMUS, THOMAS J & BONNIE S	3710300041
42	LANDIS, MICHAEL E & JANET S	3710300042
43	KEARNEY, KENNETH K & LINDA A	3710300043
44	DOAN, CHRISTOPHER & NANCY ANN	3710300044
45	MITCHELL, JAMES S & MARY KAY	3710300045
50	KILCARR, MARIE E	3710300050
51	DOUBLES, JAMES E TRUSTEE & VIRGINIA	3710300051
52	MCGINTY, MICHAEL E & SHARON D	3710300052
67	SUTTON, MICHAEL H TRUSTEE & REBECCA	3710300067
68	JOYCE, ROBERT E & JANET S	3710300068
69	SMITH, MARILYN W TRUSTEE	3710300069
70	NORBURY, JOHN W & GAYLE S	3130400070
71	GLISTA, LOTTIE REVOCABLE TRUST AGREEMENT	3130400071
72	CAHILL, DOUGLAS A & JOAN Y	3130400072
73	HAYS, STUART R & JANET V	3130400073
82	KROLL, ROBERT C & KAREN E	3130400082
83	KRIEGER, GEORGE J & KIMBERLY M	3130400083
84	BEACH, BARBARA L TRUSTEE	3130400084
85	GIBLIN, MICHAEL S & JULIET A	3130400085
86	LANDEFELD, BRUCE J & ANNELLE H	3130400086
87	MARSHALL, JEFFREY E & CYNTHIA A	3130400087
88	PIATT, JOHN P & BARBARA J	3130400088
89	PELAEZ, MARC YVE EUGENIO TRUSTEE	3130400089
93	COONEY, ROBERT J & MARGARET L	3130400093
100	WRIGHT, WARREN D & LOUIS A	3040200110
111	WHITE, HARRY L TRUSTEE & WILHELMINA	3040200111
112	JONES, HORACE F TRUSTEE III & VERA A	3040200112

FORD'S COLONY AT WILLIAMSBURG SECTION 5-A

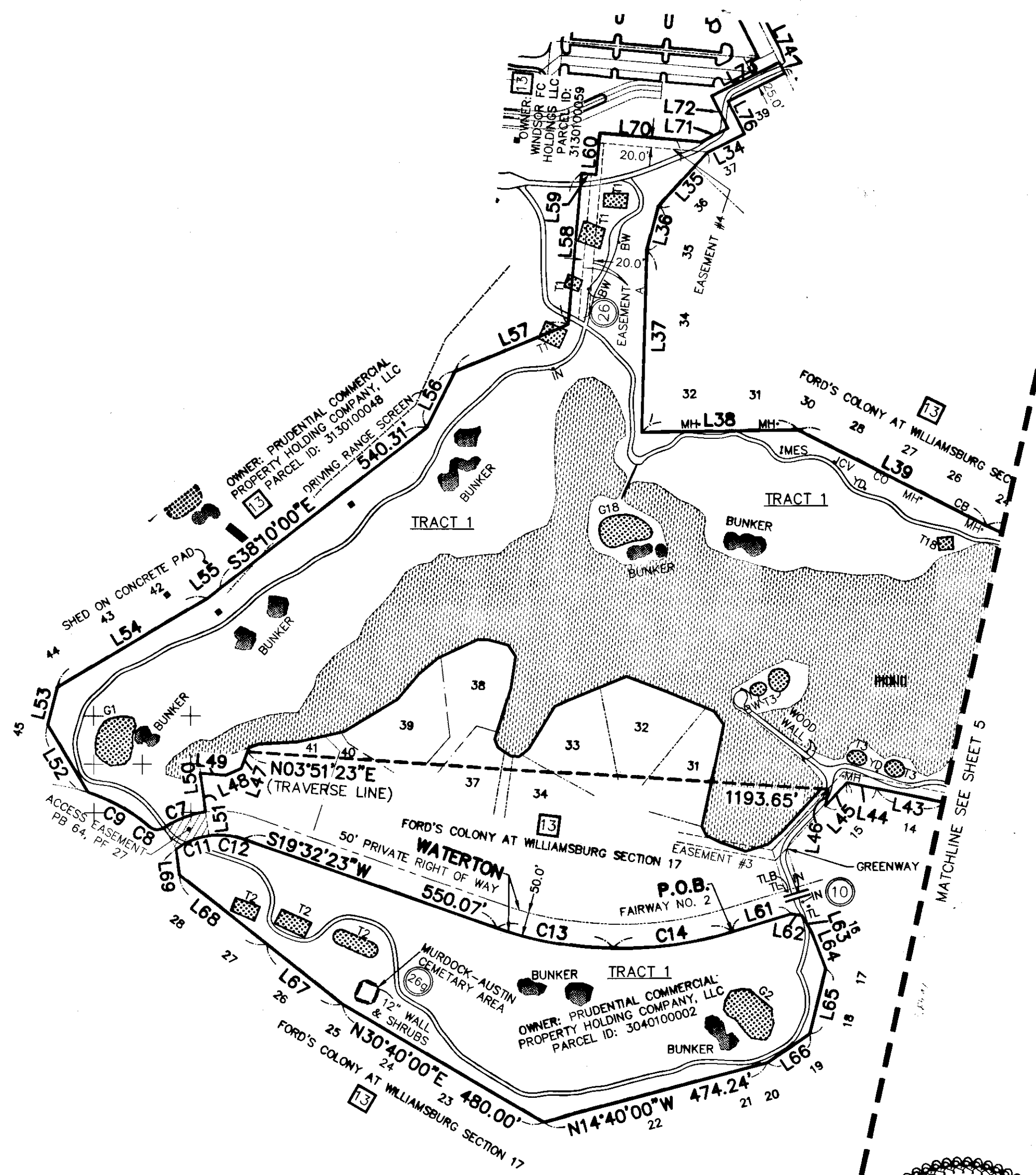
LOT	OWNER	PIN
39	FORD, DOROTHEA M TRUSTEE	3130600039

FORD'S COLONY AT WILLIAMSBURG SECTION 17

LOT	OWNER	PIN
1	MALO, JON & SHARON	3130900001
2	AIMONE, OLGA T TRUSTEE & ROBERT J TR	3130900002
3	DOUGLAS, DONALD MARTIN & JANET DODSO	3130900003
4	CHRISDANNO CUSTOM HOMES, INC.	3130900004
5	ORAM, GEORGE E & LUCIA F	3130900005
6	HOFFMAN, RICHARD S & SHARON G	3130900006
7	STARLING, GLEN D & LINDA L	3130900007
8	WEBSTER, PETER W TRUSTEE & JOAN L TR	3130900008
9	HUDGINS, WILLIAM A & MICHELLE R	3130900009
10	LIVECHI, JOHN J & LINDA K	3130900010
11	WHYBROW, PAUL E & JANET E	3130900011
12	WAGNER, JACK L & SUZANNE E	3130900012
13	TURI, JAMES A & GALE P	3130900013
14	BUSHLEY, DAVID & TRAUITE S	3130900014
15	CHISMER, ELAINE M	3130900015
16	BOGUSKI, RONALD T TRUSTEE	3130900016
17	PRYOR, PHILIP A & LYNN A	3130900017
18	PINKETT, DWIGHT LEE & SELENE C	3130900018
19	VERBEEK, THOMAS G & ANNA MARIE	3130900019
20	KIM, CHONG HYOK	3130900020
21	MILLS, BERNARD M & ANNE D	3130900021
22	RASPER, A ALLEN & JUDITH E	3130900022
23	BELSTOCK, ALAN & CHERRY	3130900023
24	OLSZYK, BERNARD G TRUSTEE & NANCY R	3130900024
25	BERG, ROBERT M TRUSTEE & SHARON G TR	3130900025
26	PRICE, RICHARD J	3130900026
27	WILSON, JACK N & JOYCE A	3130900027
28	THELOOSEN, HENDRIKUS EUSTACHE TRUSTEE	3130900028
31	CHAMBERS, JAMES E TRUSTEE & SANDRA L	3130900031
32	BIRDWELL, THOMAS M, JR & JUDITH G	3130900032
33	CURTIS, SUSANNE M & DEANE, DONALD M	3130900033
34	KRUPINSKI, RICHARD E & ARLENE C	3130900034
37	BENJAMIN, THOMAS F & LENA	3130900037
38	NERVITT, RONALD A TRUSTEE & LOIS S T	3130900038
39	MARTIN, J DONALD P & LOUANN K	3130900039
40	TORRENS, BARBARA D	3130900040
41	LOSTY, EDWARD J & GRETCHEN N	3130900041
42	BERARDI, ANSELMO & DENISE B	3130900042
43	RODGERS, ERNA H & JAMES A TRUSTEES	3130900043
44	LITTLE, JOHN H TRUSTEE & KAREN A TRU	3130900044
45	LEE, DAVID W S10 FLOOR #38 LANE 173 SEC 1	3130900045

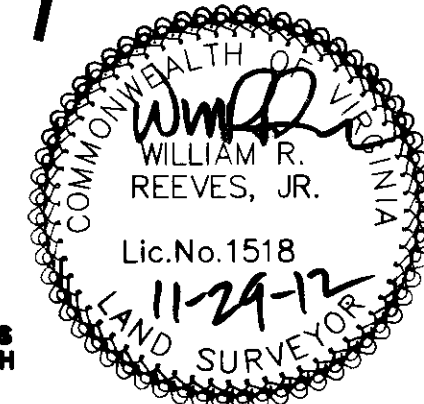
13 FORD'S COLONY AT WILLIAMSBURG SECTION 33

LOT	OWNER	PIN
23	HUANG, CHAO-SHENG WARREN & MARGARET	3131500023
24	ZAKOUR, RICHARD A & WOODARD, COLLEEN	3131500024
26	BARNHART, EDWIN D & MARY ALICE	3131500026
27	BAIN, MICHAEL L TRUSTEE & MICHAEL	3131500027
28	BELANGER, KEITH M & OKSOON Y	3131500028
30	EVANS, DAVID C & CHRISTINA J	3131500030
31	CITIZENS AND FARMERS BANK	3131500031
32	ANDREWS, FRANCIS J	3131500032
34	KNOBEN, JAMES E & ALICE D	3131500034
35	FLOYD, W DONALD TRUSTEE & BONNIE F T	3131500035
36	CITIZENS AND FARMERS BANK	3131500036
37	CITIZENS AND FARMERS BANK	3131500037
39	COLBERT, RUSSELL G JR & MERLO, MARIA	3131500039



21 Large/Small Plat(s) Recorded herewith as # 120025060

City of Williamsburg & County of James City  
 Circuit Court, This PLAT was recorded on  
 4 December 2012  
 at 9:41 AM/PM, PG. PG.  
 Document # 120025060  
 BETSY B. WOOLRIDGE, CLERK  
 By *Betsy Woolridge*, Dep. Clerk



NOTE:  
 PER EXCEPTION 10: GRANT OF INGRESS/EGRESS & ACCESS OVER AND ACROSS ALL ROADWAYS AND GREENWAYS AS SET FORTH IN DECLARATION OF EASEMENTS, COVENANTS AND RESTRICTIONS AS RECORDED PER INSTRUMENT NO. 080013474.

DATE	REVISIONS	TECH	SCALE:
09/04/12	ADDED NEW TITLE	CD	1" = 200'
			DRAWN BY/FIELD CREW: CD/PW/ML/WB
			APPROVED BY: JS
			DRAWING FILE NAME: 1200743 240 FORT COLONY DR., WILLIAMSBURG, VA.DWG

6Dvi ALTA/ACSM LAND TITLE SURVEY  
 2 OFF  
 TRACT 1 - BLACKHEATH 18 HOLE GOLF COURSE  
 BLACKHEATH FAIRWAY NOS. 1 - 4 & 11 - 18  
 JAMES CITY COUNTY WILLIAMSBURG, VA

**ASIM** AMERICAN SURVEYING & MAPPING INC.  
 3191 MAUREE BLVD., SUITE 200  
 DUNEDIN, FLORIDA 32026  
 WWW.ASMAPPING.COM