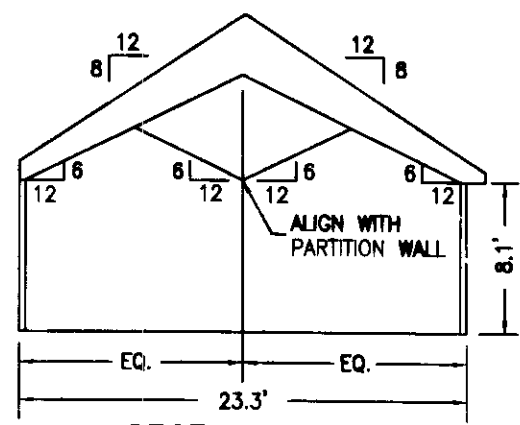
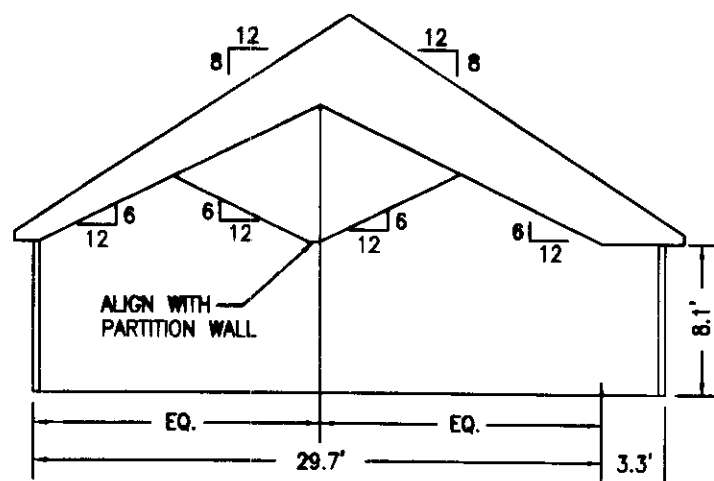


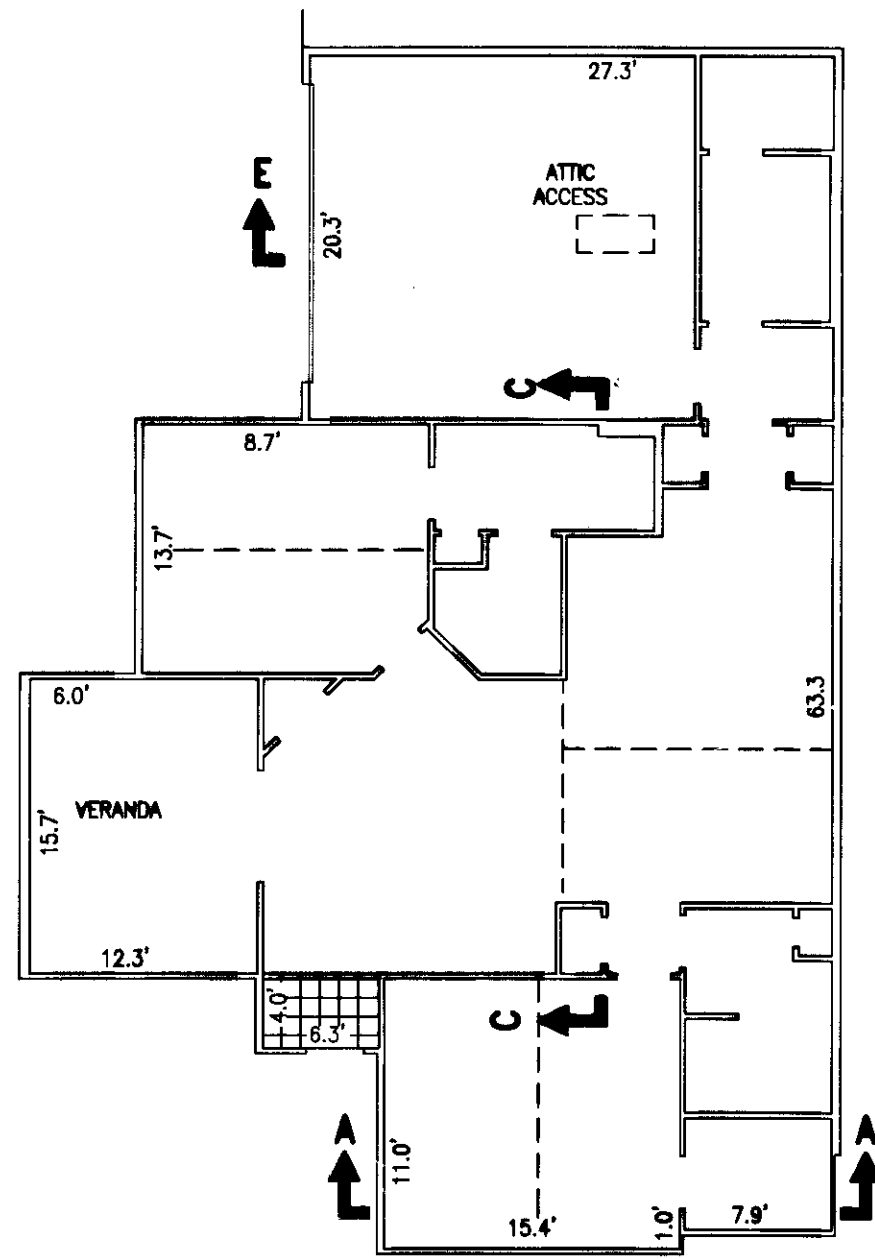
SECTION A-A



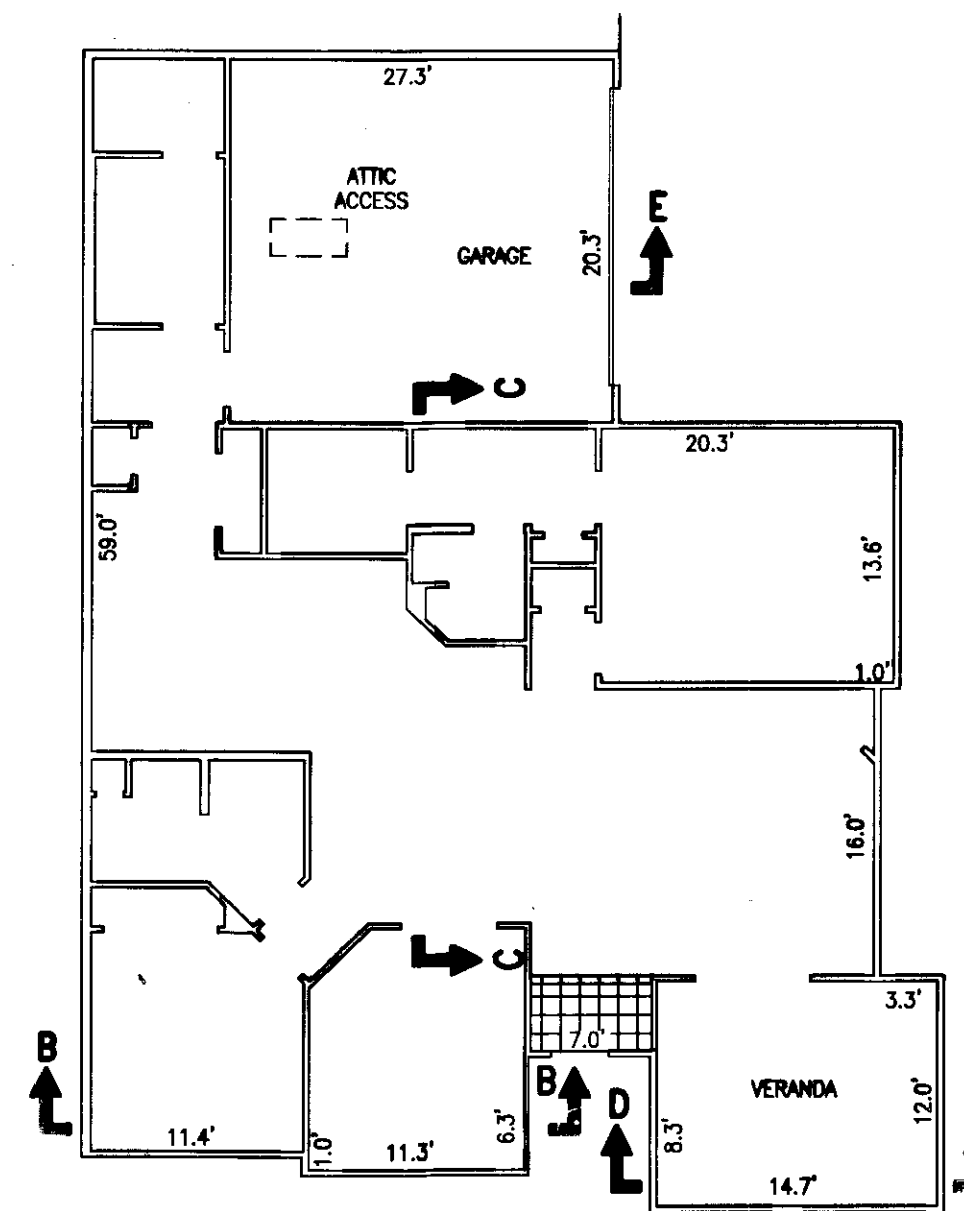
SECTION B-B



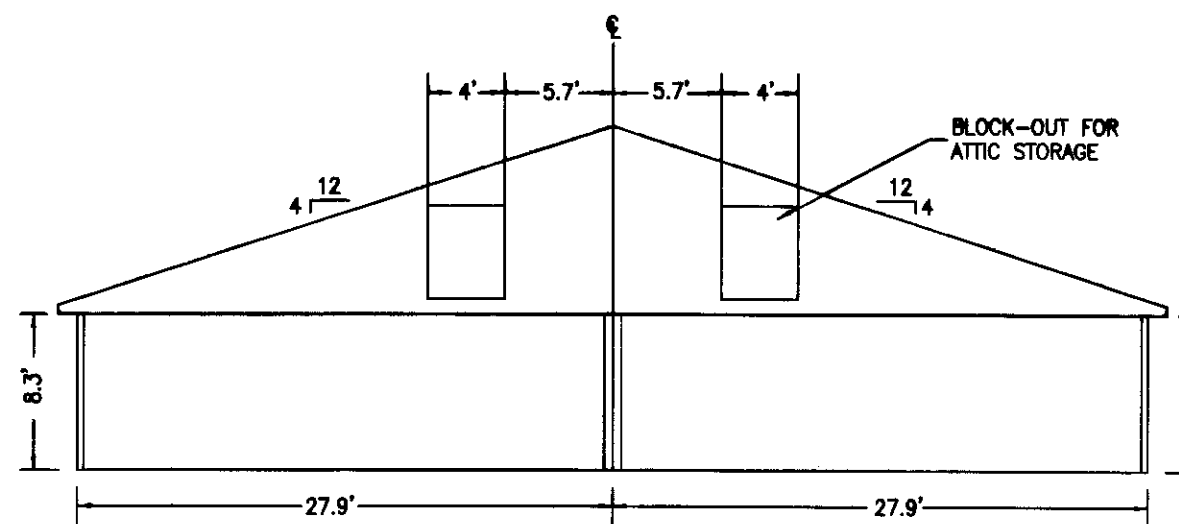
SECTION C-C



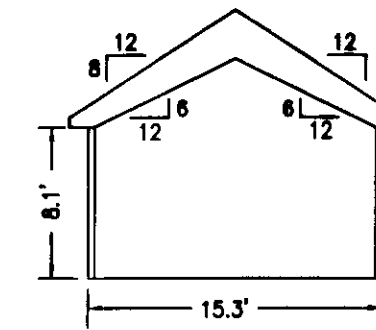
BUILDING 10-A
ABBAY
FLOOR PLAN



BUILDING 10-B, 10-C & 10-D
CANTERBURY
FLOOR PLAN

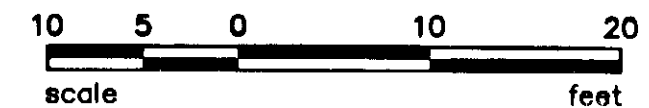


SECTION E-E



SECTION D-D

I CERTIFY THAT THESE PLANS ARE ACCURATE AND COMPLIES WITH THE PROVISIONS OF SECTION 55-79.58(B) OF THE CODE OF VIRGINIA OF 1950 AS AMENDED AND ALL UNITS SHOWN HEREON HAVE BEEN SUBSTANTIALLY COMPLETED.



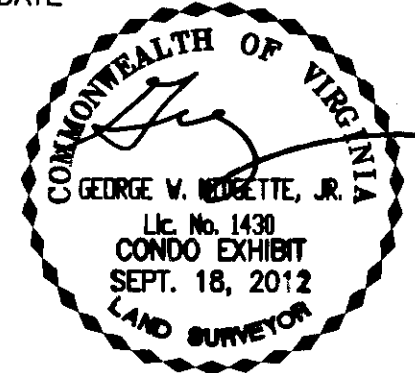
STATE OF VIRGINIA
JAMES CITY COUNTY

IN THE CLERK'S OFFICE OF THE CIRCUIT COURT FOR JAMES CITY COUNTY, VIRGINIA. THIS MAP WAS PRESENTED AND ADMITTED TO RECORD AS THE LAW DIRECTS THIS 20 DAY OF September, 2012 AT 10:44 AM/P.M.

INSTRUMENT # 120019892
TESTES: Betsy B. Woolridge, Clerk
TESTES: By Claudia H. Hinkley, D.C. Clerk

[Signature] 1430
NAME REGISTRATION NO.

SEPTEMBER 18, 2012
DATE



3 Large/Small Plates Recorded
herewith as # 120019892

<p>EXHIBIT "D" PLANS OF VILLAS AT FIVE FORKS A CONDOMINIUM PHASE 17 JAMES CITY COUNTY, VIRGINIA</p>		<p>ART-RAY CORP. 200 LUMMIS ROAD SUFFOLK, VIRGINIA 23434 Office: 757.539.8822 Fax: 757.539.8769</p>	
		<p>3 SHEET: 3 of 3</p>	