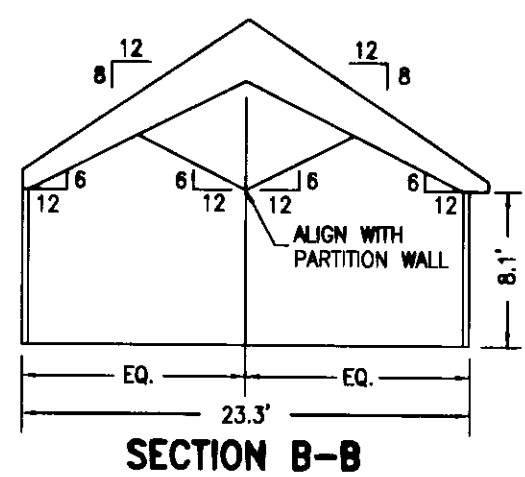
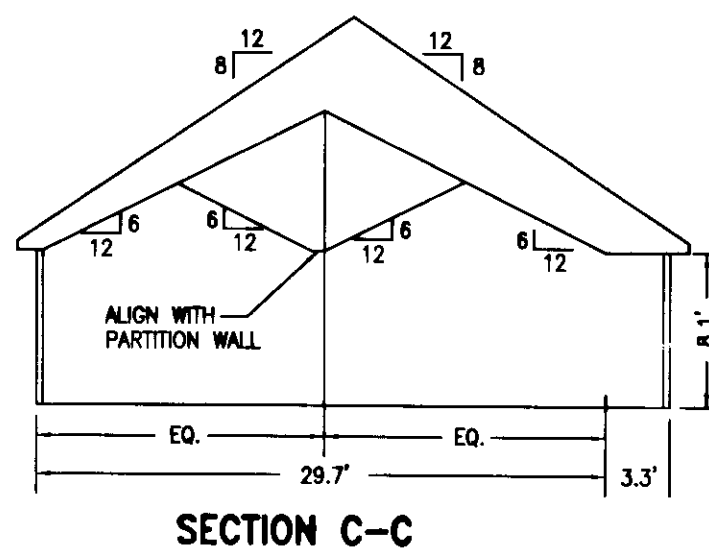


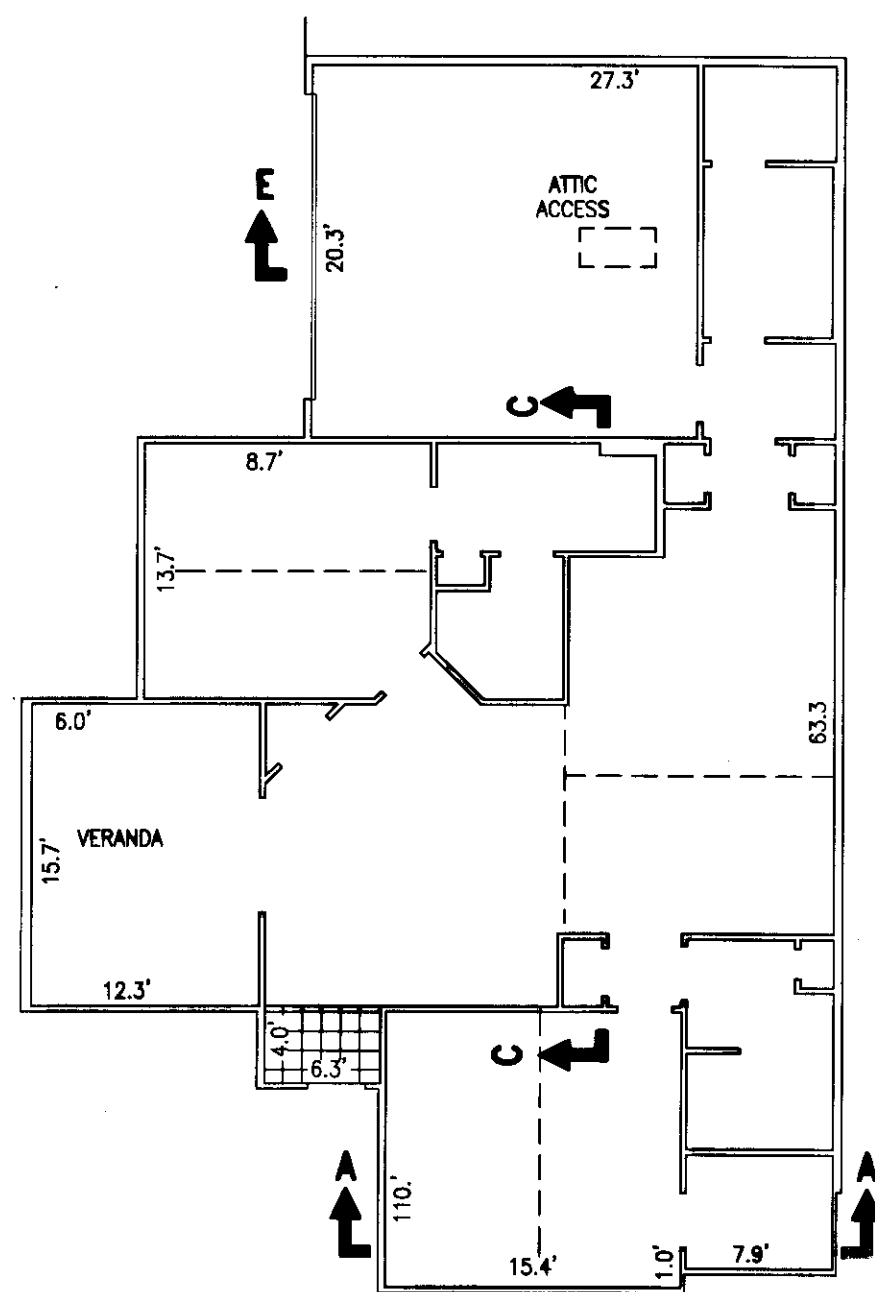
SECTION A-A



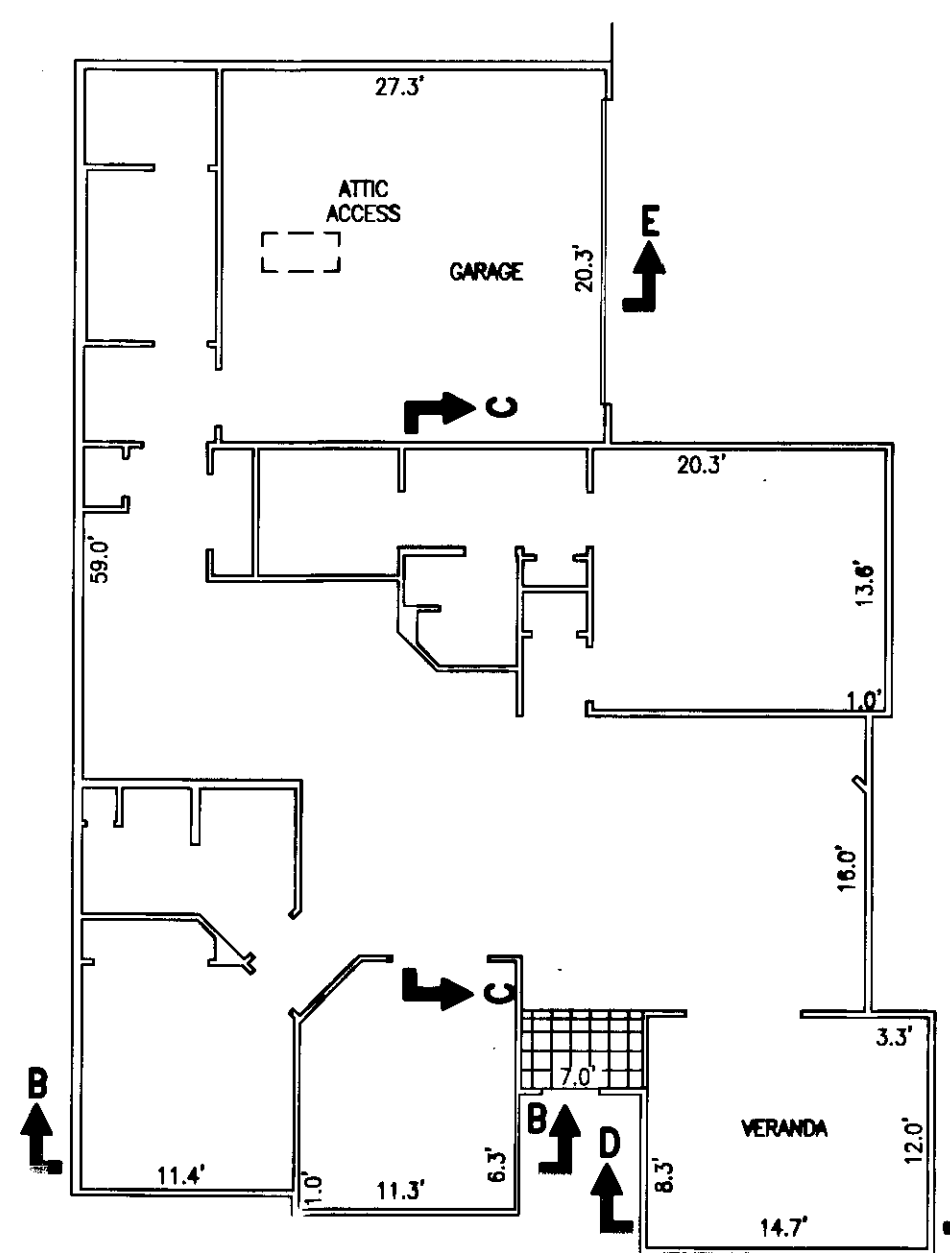
SECTION B-B



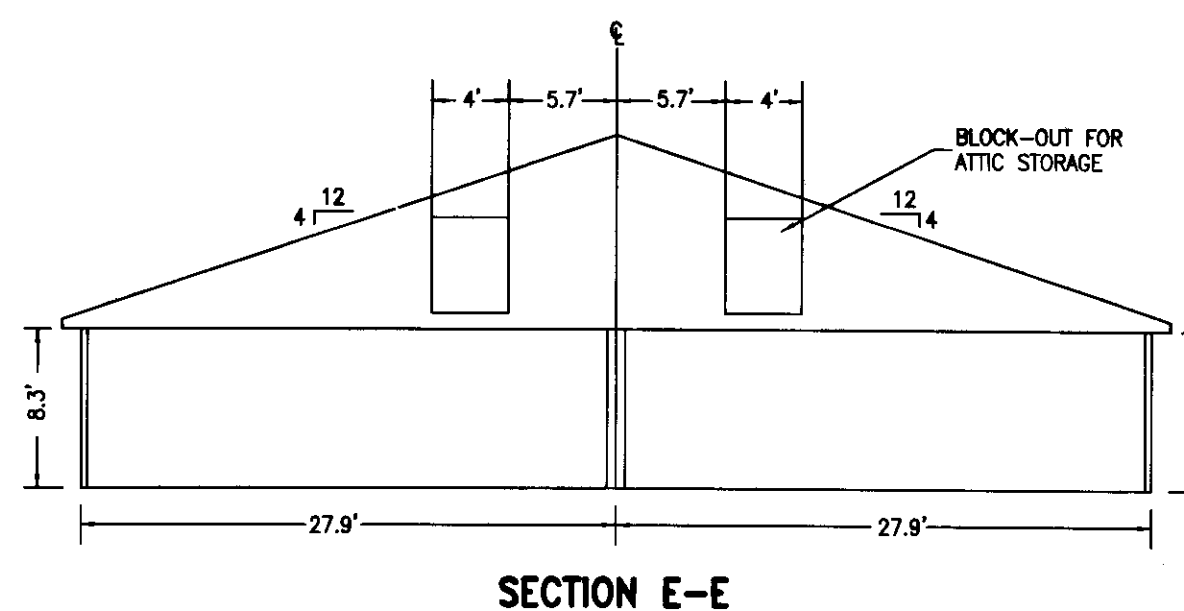
SECTION C-C



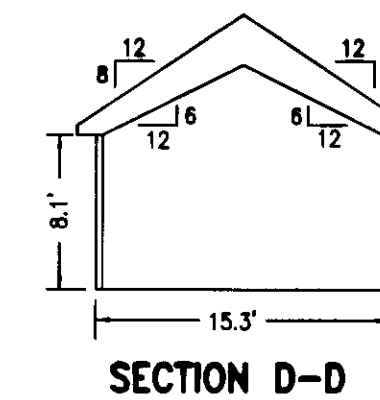
BUILDING 9-A  
ABBAY  
FLOOR PLAN



BUILDING 9-B, 9-C & 9-D  
CANTERBURY  
FLOOR PLAN



SECTION E-E



SECTION D-D

I CERTIFY THAT THESE PLANS ARE ACCURATE AND COMPLIES WITH THE PROVISIONS OF SECTION 55-79.58(b) OF THE CODE OF VIRGINIA OF 1950 AS AMENDED AND ALL UNITS SHOWN HEREON HAVE BEEN SUBSTANTIALLY COMPLETED.

3 Large/Small Plat(s) Recorded  
herewith as # 120008351



STATE OF VIRGINIA  
JAMES CITY COUNTY

IN THE CLERK'S OFFICE OF THE CIRCUIT COURT FOR JAMES CITY COUNTY, VIRGINIA. THIS MAP WAS PRESENTED AND ADMITTED TO RECORD AS THE LAW DIRECTS THIS 19th DAY OF April, 2012 AT 1:25 PM.

INSTRUMENT # 120008351  
TESTES: Betsy B. Woolridge clerk  
TESTES: Robert Charles deputy clerk

G.R. Jenkins 001236  
NAME REGISTRATION NO.

MARCH 27, 2012  
DATE

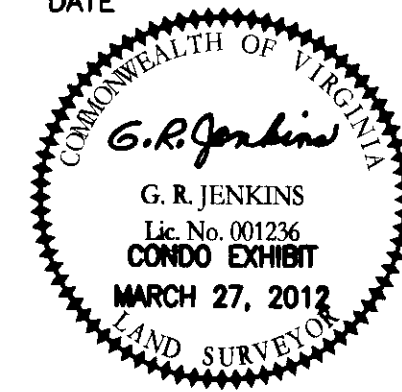


EXHIBIT "D"  
PLANS OF  
VILLAS AT FIVE FORKS  
A CONDOMINIUM  
PHASE 16  
JAMES CITY COUNTY, VIRGINIA

ART-RAY CORP.  
SURVEYING  
200 LUMMIS ROAD  
SUFFOLK, VIRGINIA 23434  
Office: 757.539.8822 Fax: 757.539.6766

DRAWN: DMJ  
COMP.: GRJ  
CHECKED: GRJ

DATE: 03/27/12  
SCALE: 1"=10'

REVISIONS

REF:  
DOC.#110009149

3  
SHEET: 3 of 3