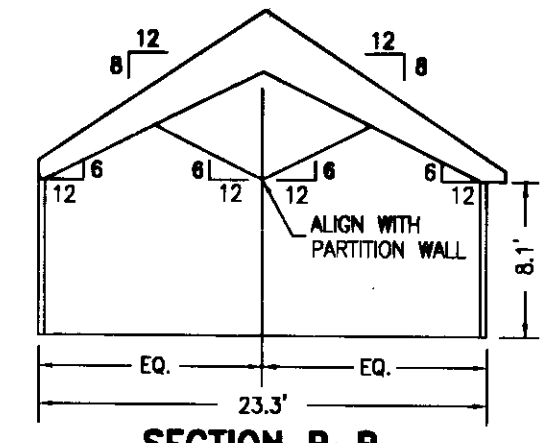
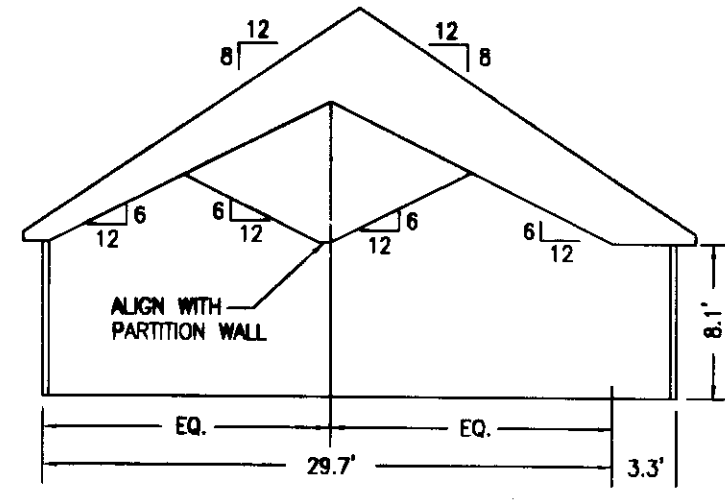


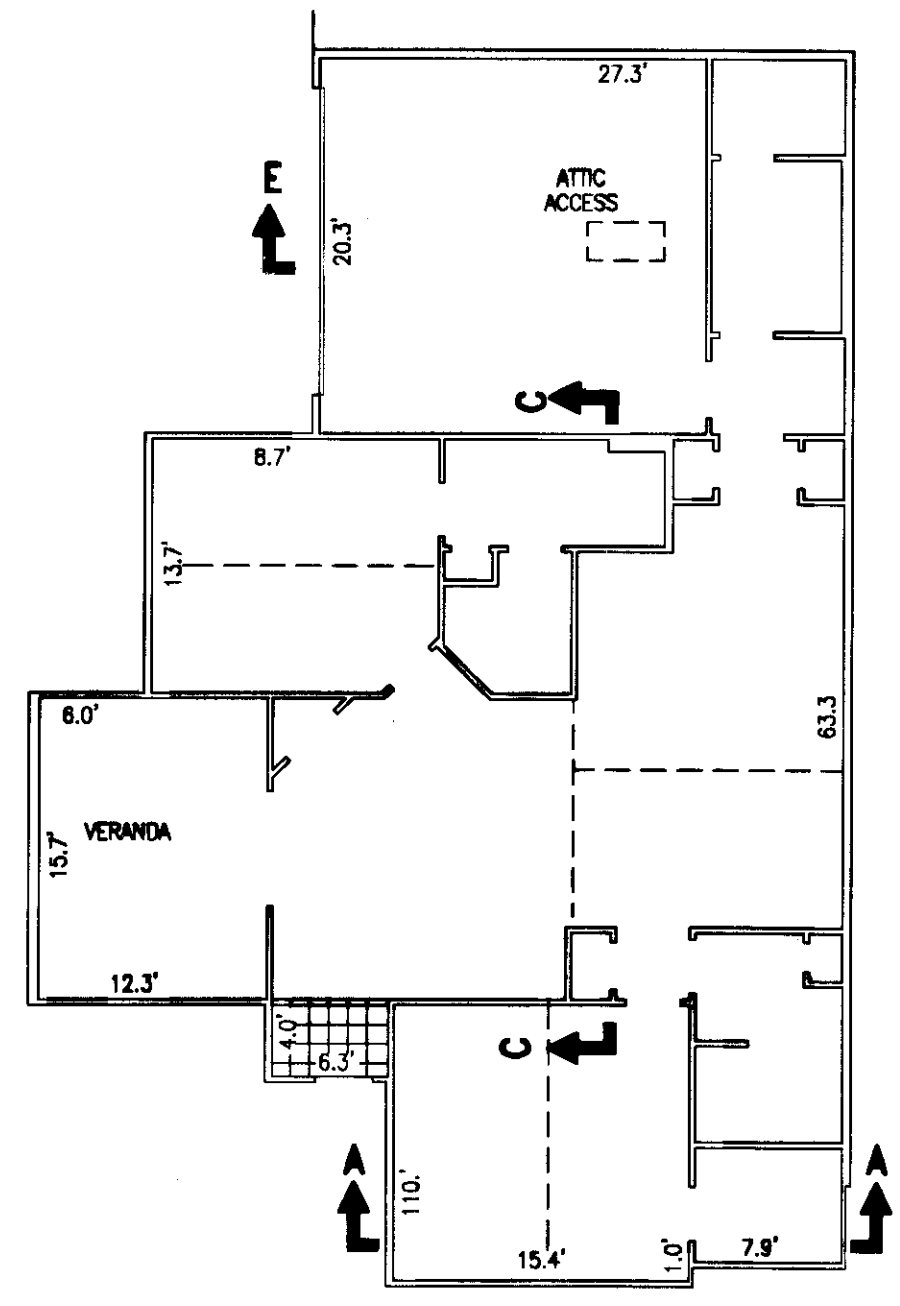
SECTION A-A



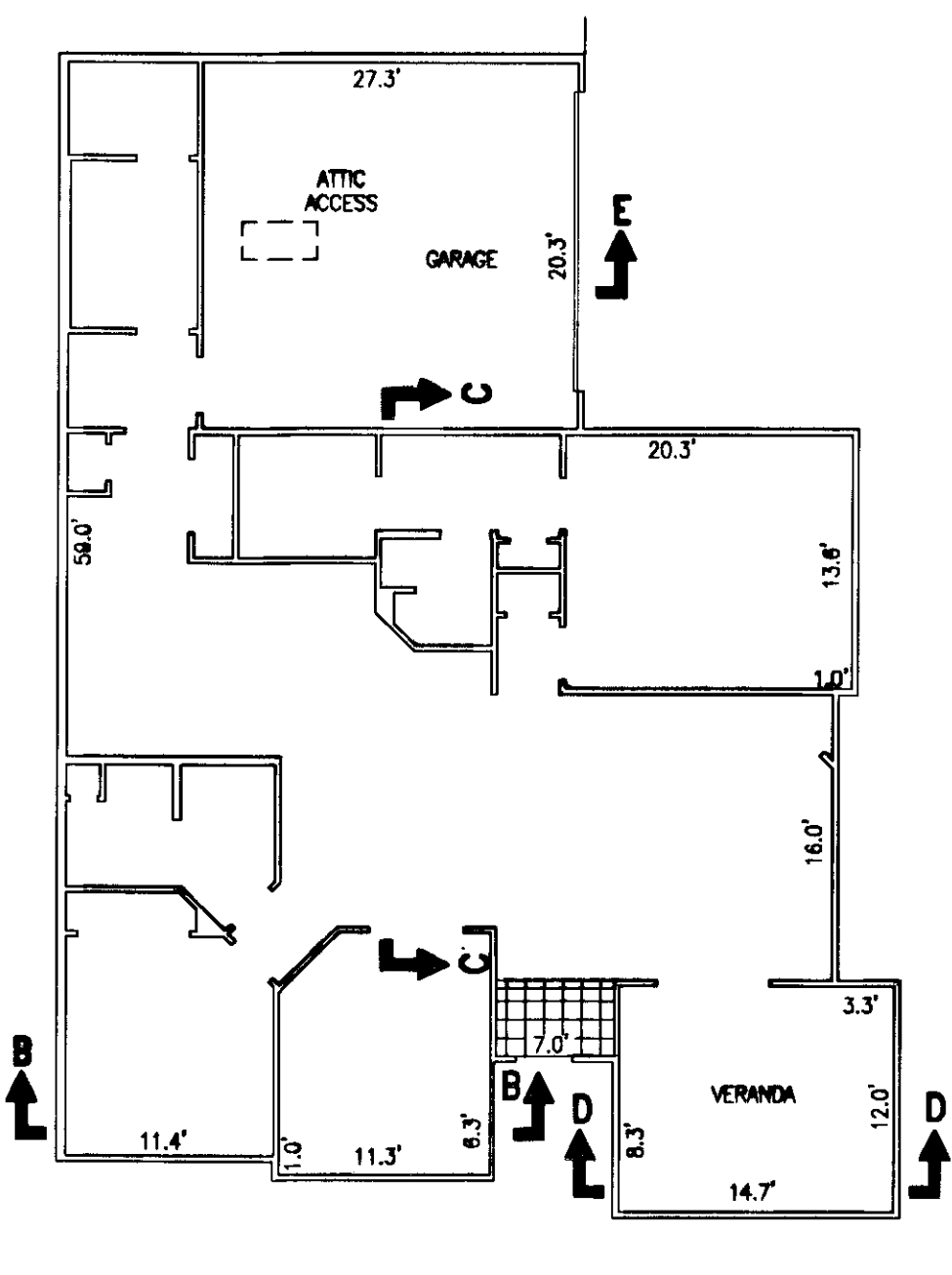
SECTION B-B



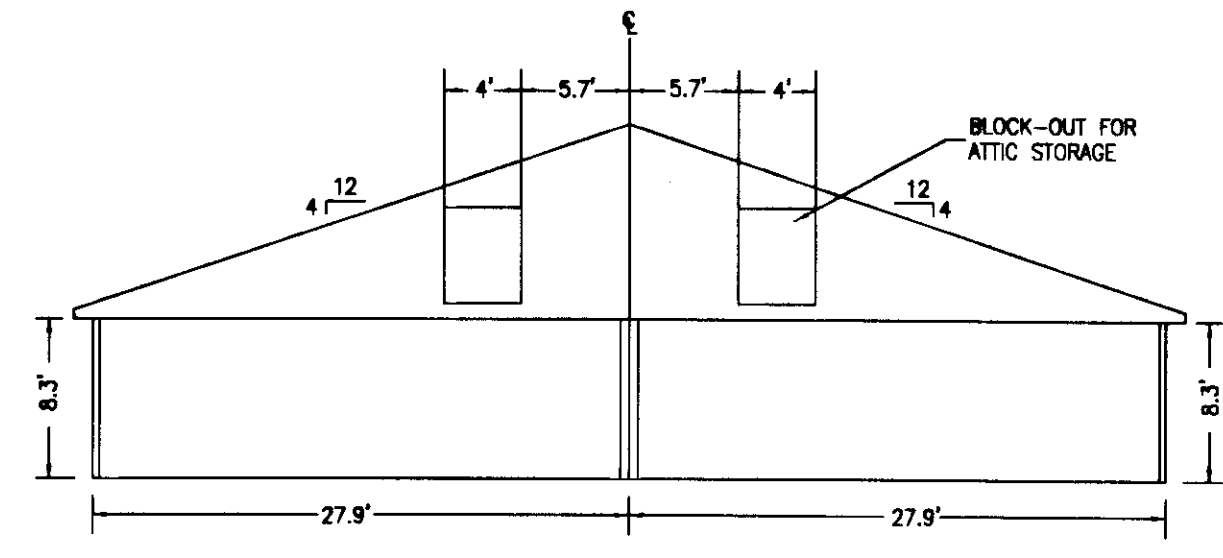
SECTION C-C



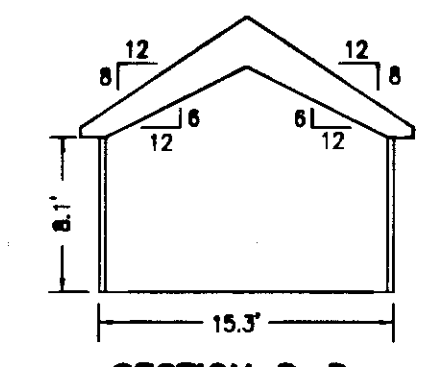
BUILDING 12-A & 13-B
ABBAY
FLOOR PLAN



BUILDING 12-B, 12-C & 12-D, 13-A, 13-C & 13-D
CANTERBURY
FLOOR PLAN



SECTION E-E



SECTION D-D

I CERTIFY THAT THESE PLANS ARE ACCURATE AND COMPLIES WITH THE PROVISIONS OF SECTION 55-79.58(b) OF THE CODE OF VIRGINIA OF 1950 AS AMENDED AND ALL UNITS SHOWN HEREON HAVE BEEN SUBSTANTIALLY COMPLETED.



STATE OF VIRGINIA
JAMES CITY COUNTY

IN THE CLERK'S OFFICE OF THE CIRCUIT COURT FOR JAMES CITY COUNTY, VIRGINIA. THIS MAP WAS PRESENTED AND ADMITTED TO RECORD AS THE LAW DIRECTS THIS 25th DAY OF April, 2011 AT 3:13 AM/PM.

INSTRUMENT # 110009149
TESTES: Betsy B. Woolhead, Clerk
TESTES: By Claudia Hinkley, De Clerk

G.R. Jenkins 001236
NAME REGISTRATION NO.

MARCH 15, 2011
DATE



3 Large/Small Plots Recorded herewith as # 110009149

EXHIBIT "D"			ART-RAY CORP.
PLANS OF VILLAS AT FIVE FORKS A CONDOMINIUM PHASE 15 JAMES CITY COUNTY, VIRGINIA			
ENGINEERING	SURVEYING		3
200 LUMMIS ROAD SUFFOLK, VIRGINIA 23434 Office: 757.539.8822 Fax: 757.539.6709		REF:	
DRAWN: DMJ	DATE: 03/15/11	REVISIONS	SHEET: 3 of 3
COMP.: BJL	SCALE: 1"=10'		
CHECKED: GRJ			
DOC.#100026583			2280.0-07