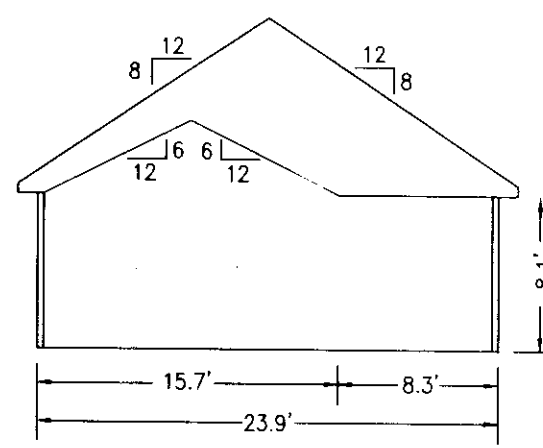
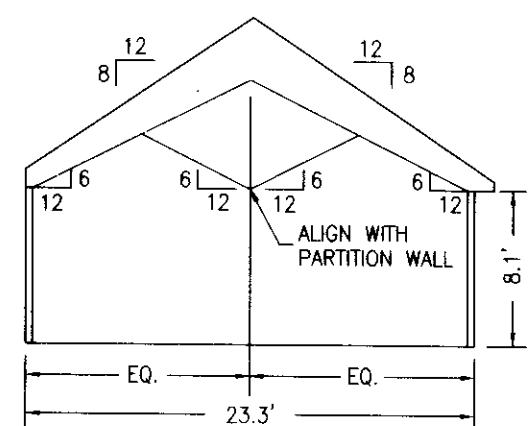


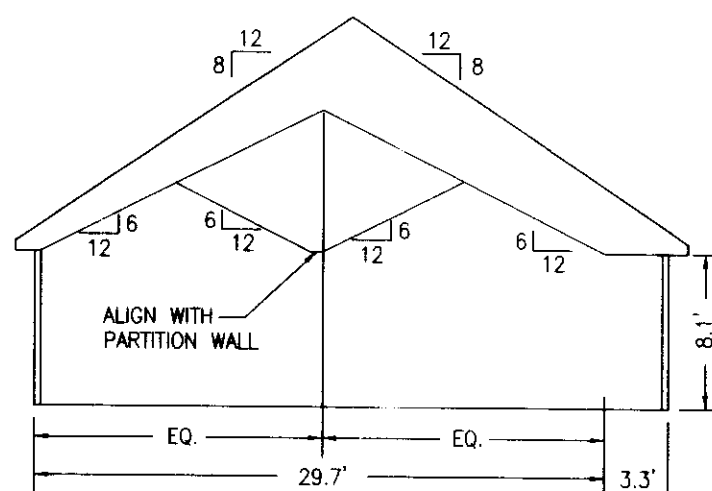
080026332



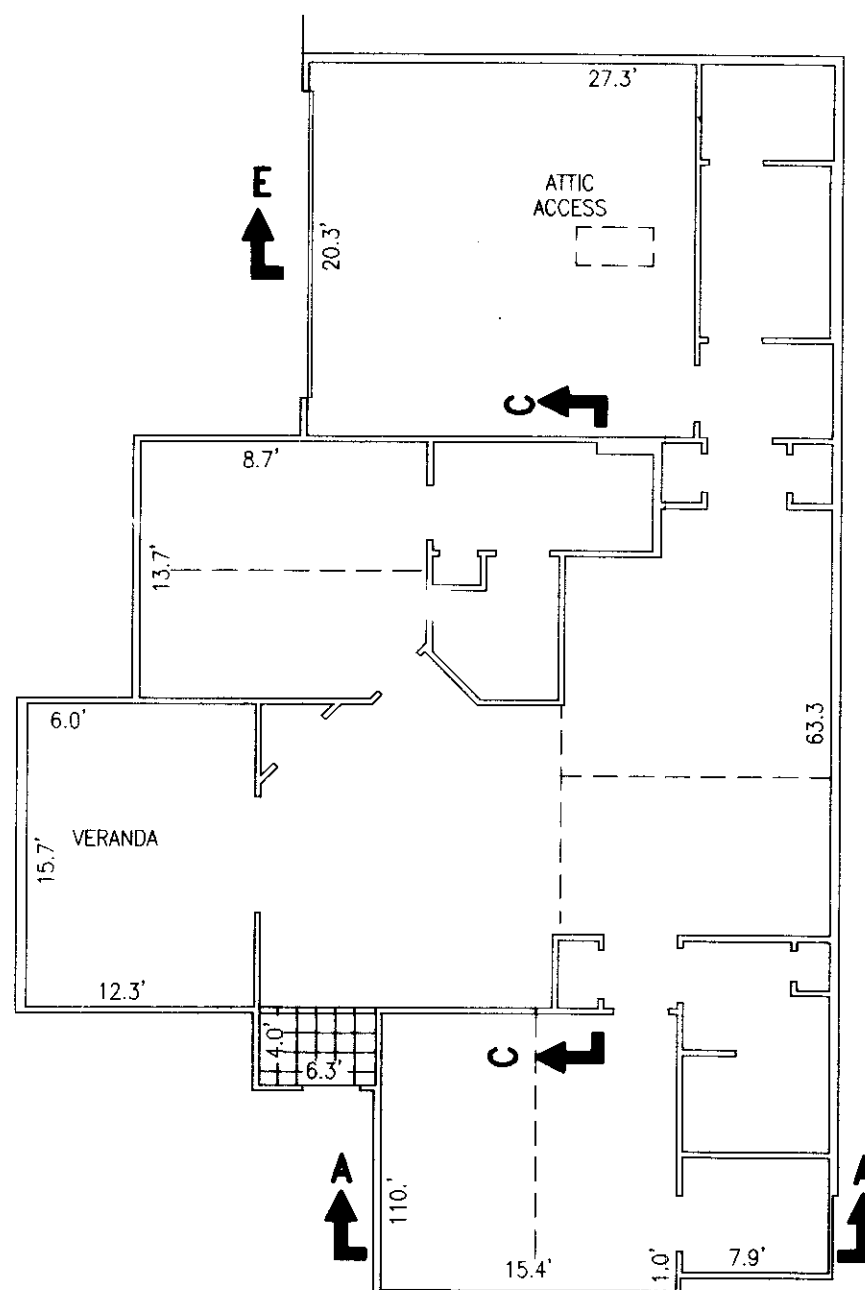
SECTION A-A



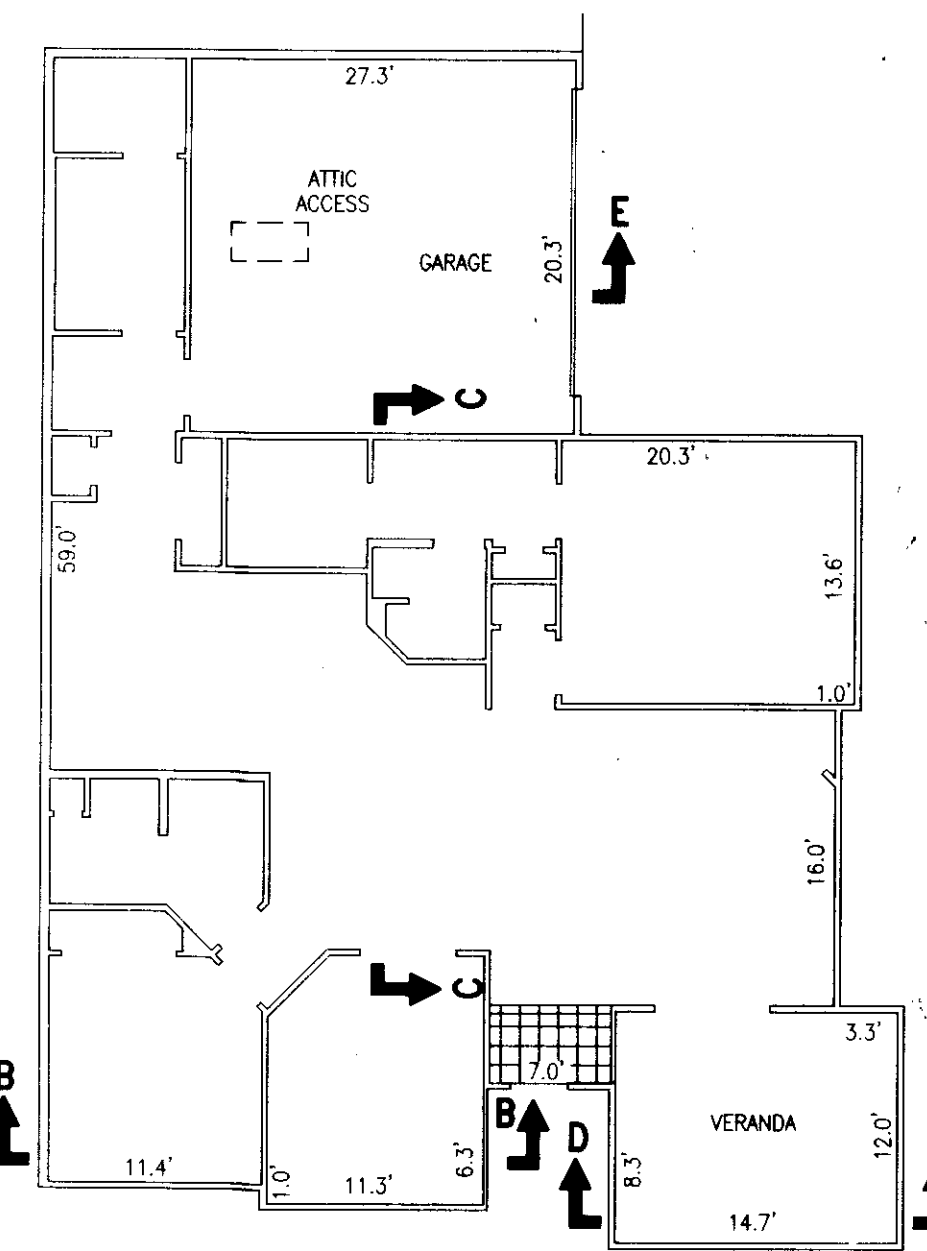
SECTION B-B



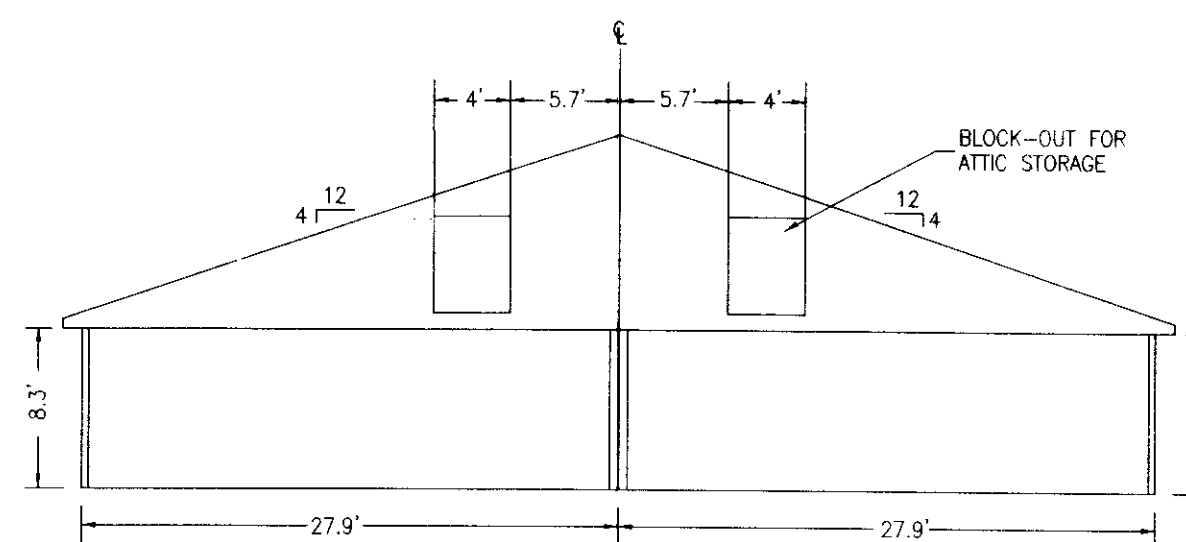
SECTION C-C



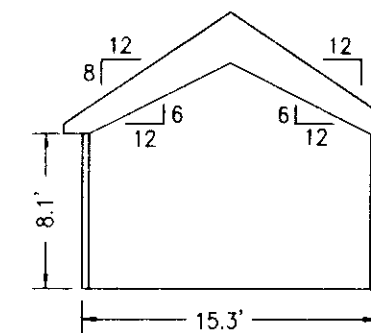
BUILDING 21-A
ABBAY
FLOOR PLAN



BUILDING 21-B, 21-C & 21-D
CANTERBURY
FLOOR PLAN



SECTION E-E



SECTION D-D

3 Large/Small Plat(s) Recorded
herewith as # 080026332

STATE OF VIRGINIA
JAMES CITY COUNTY

IN THE CLERK'S OFFICE OF THE CIRCUIT COURT FOR JAMES CITY COUNTY, VIRGINIA. THIS MAP WAS PRESENTED AND ADMITTED TO RECORD AS THE LAW DIRECTS THIS 27 DAY OF October, 2008 AT 1:46 PM.

INSTRUMENT # 080026332

TESTES: BETSY B. WOOLRIDGE, CLERK

TESTES: By: Lee Ann Hallman

I CERTIFY THAT THESE PLANS ARE ACCURATE AND COMPLIES WITH THE PROVISIONS OF SECTION 55-79.58(b) OF THE CODE OF VIRGINIA OF 1950 AS AMENDED AND ALL UNITS SHOWN HEREON HAVE BEEN SUBSTANTIALLY COMPLETED.

Brian J. Layman
NAME REGISTRATION NO. 002490

OCTOBER 14, 2008
DATE

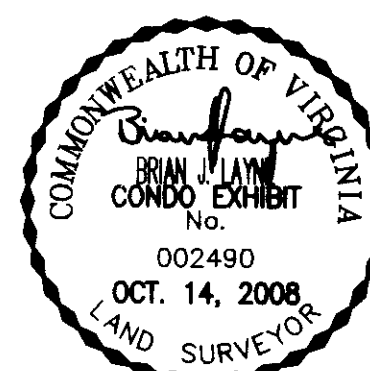


EXHIBIT "D"
PLANS OF
VILLAS AT FIVE FORKS
A CONDOMINIUM
PHASE 5
JAMES CITY COUNTY, VIRGINIA

DRAWN: DMJ
COMP.: BJL
CHECKED: BJL

DATE: 10/14/08
SCALE: 1"=100'

REVISIONS



REF:
DOC.#080020726

3
SHEET: 3 of 3