

#042146

EXHIBIT B-29
 SUPPLEMENTAL CONDOMINIUM PLAN
 OF
 WYNDHAM PLANTATION
 CONDOMINIUM

WILLIAMSBURG, VIRGINIA
 SCALE: 1"=10' NOVEMBER 16, 2004

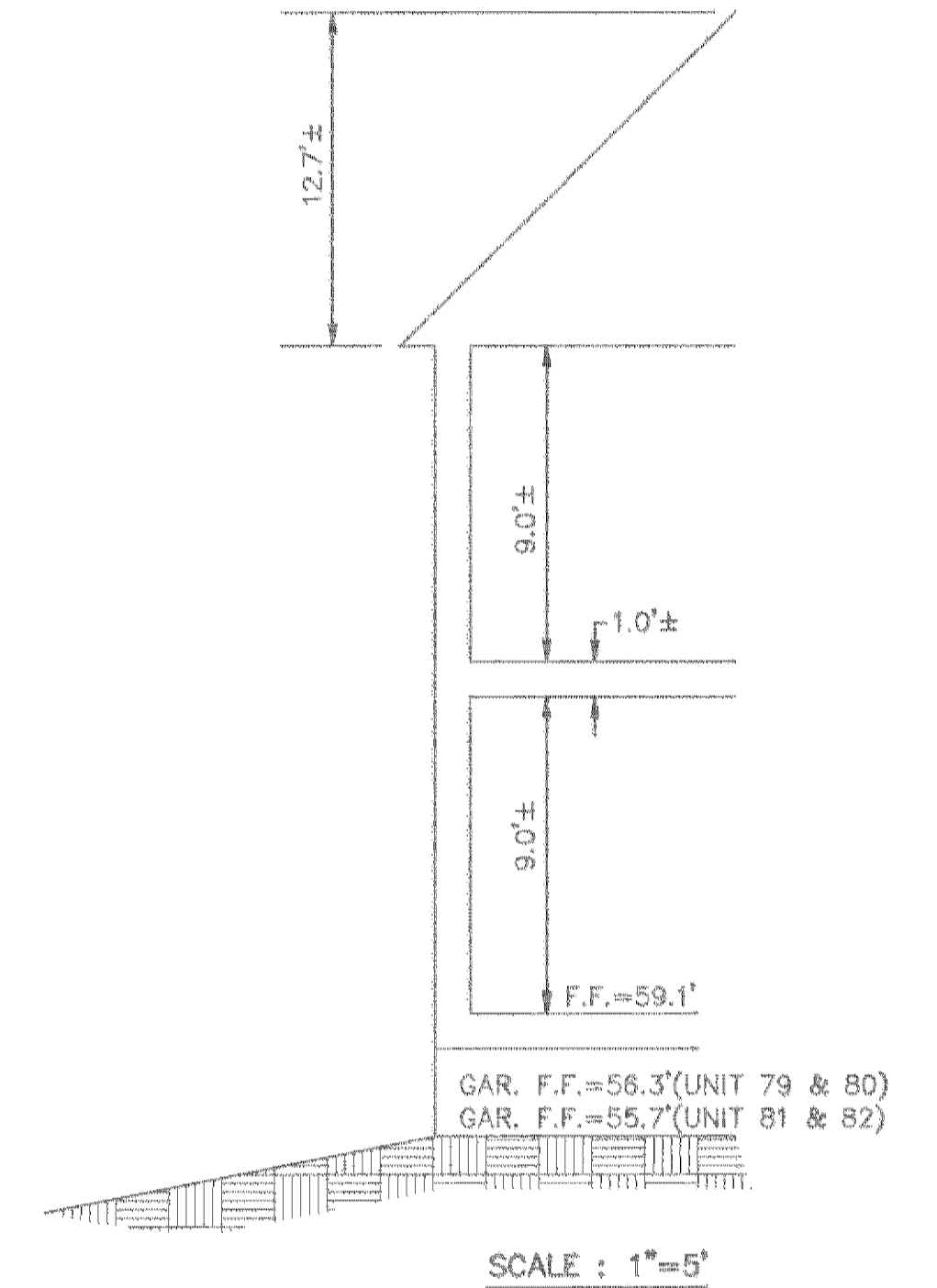
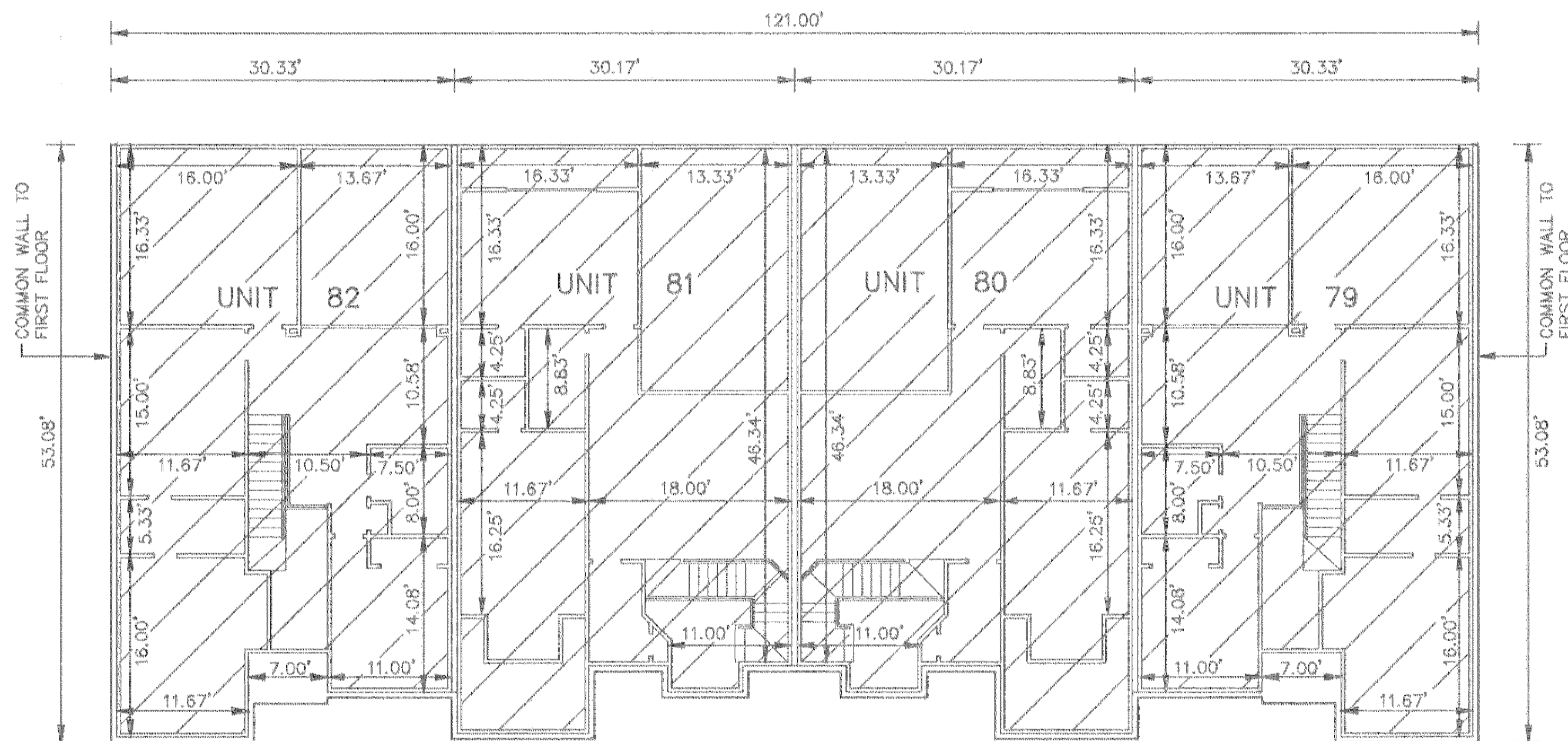
JOHN E. SIRINE AND ASSOCIATES, LTD.
 SURVEYORS • ENGINEERS • PLANNERS
 VIRGINIA BEACH, VIRGINIA
 (757) 486-4910

NOTES:

- BUILDING DIMENSIONS SHOWN HEREON ARE INTERIOR DIMENSIONS. THESE DIMENSIONS ARE IN FEET AND WERE TAKEN FROM PLANS SUPPLIED ENTITLED "WYNDHAM PLANTATION AT WILLIAMSBURG, FLOOR PLANS" BY PROGRESSIVE DESIGNS DATED 11/19/98.
- INTERIOR UNIT CONFIGURATIONS AND PARTITIONS AS DEPICTED HEREON ARE FOR THE PURPOSE OF ILLUSTRATION ONLY AND MAY NOT REPRESENT THE INTERIOR OF A UNIT AS ACTUALLY CONSTRUCTED.

SECOND FLOOR - BUILDING 12

SCALE: 1"=10'



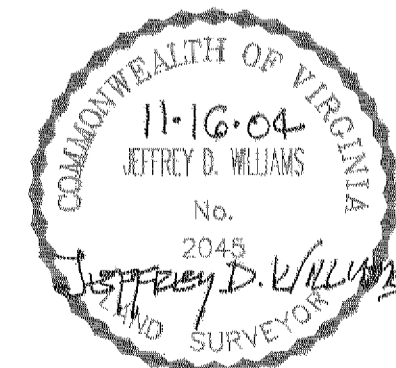
UNIT AREA

PHASE	UNIT No.	UNIT ADDRESS	UNIT AREA
31	79	300 ZELKOVA ROAD	1,853 S.F.
31	80	304 ZELKOVA ROAD	1,957 S.F.
31	81	308 ZELKOVA ROAD	1,957 S.F.
31	82	312 ZELKOVA ROAD	1,853 S.F.

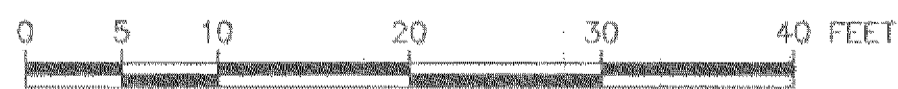
THE UNDERSIGNED CERTIFIES THAT THESE PLANS ARE ACCURATE AND COMPLY WITH THE PROVISIONS OF CODE OF VIRGINIA, SECTION 55-79.58.B AND THAT ALL UNITS OR PORTIONS THEREOF DEPICTED HEREON AND ALL COMMON ELEMENTS HAVE BEEN SUBSTANTIALLY COMPLETED.

SIGNED: Jeffrey D. Williams
 JEFFREY D. WILLIAMS, L.S.

4 Large/Small Plat(s) Recorded
 herewith as # 042146



City of Williamsburg & County of James City
 Circuit Court: This PLAT was recorded on
23 November 2004
 at 12:41 AM/PM, PB. PG. 1
 DOCUMENT # 042146
 BETSY B. WOOLRIDGE, CLERK
Betsy B. Woolridge Clerk



GRAPHIC SCALE