

#032551

EXHIBIT B-20  
 SUPPLEMENTAL CONDOMINIUM PLAN  
 OF  
 WYNDHAM PLANTATION  
 CONDOMINIUM

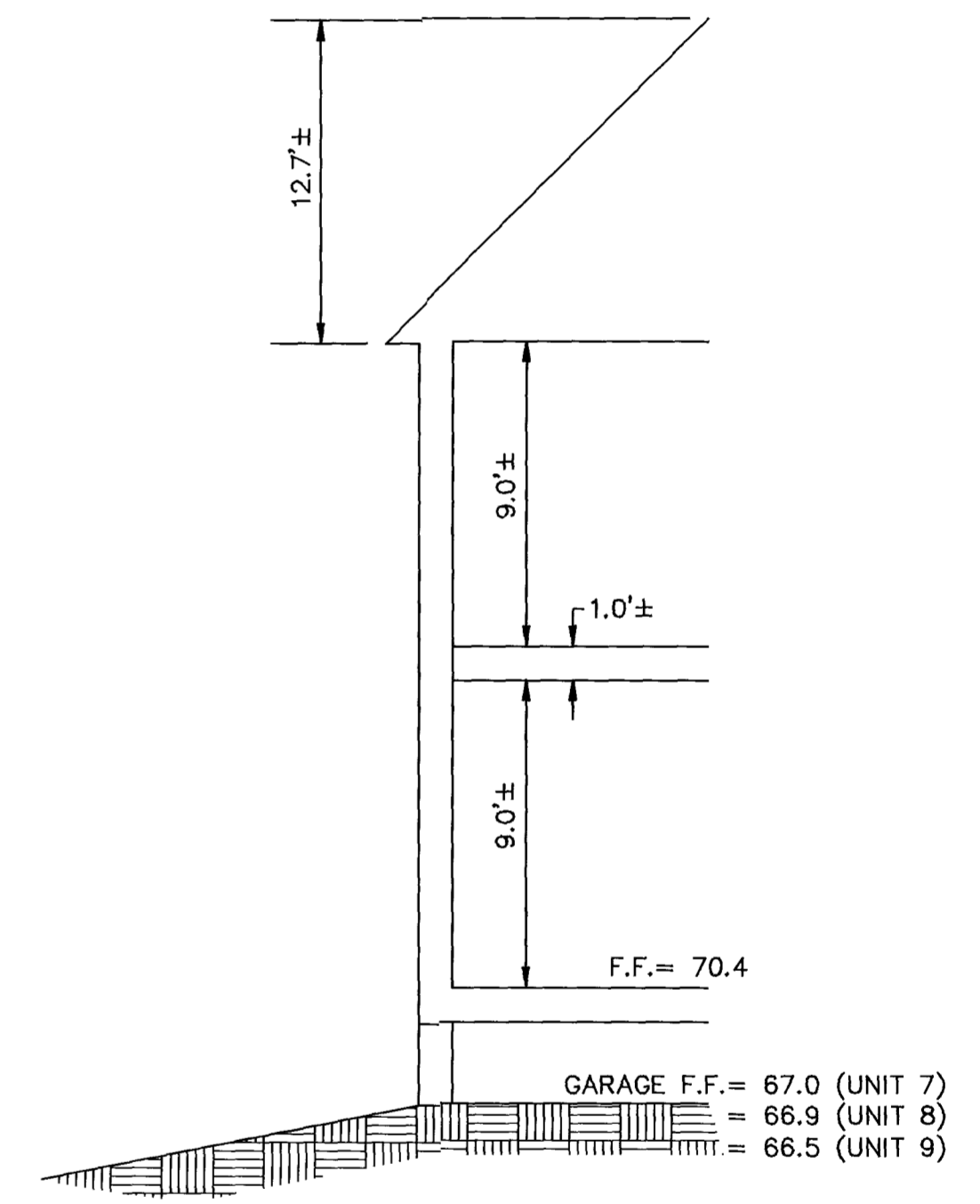
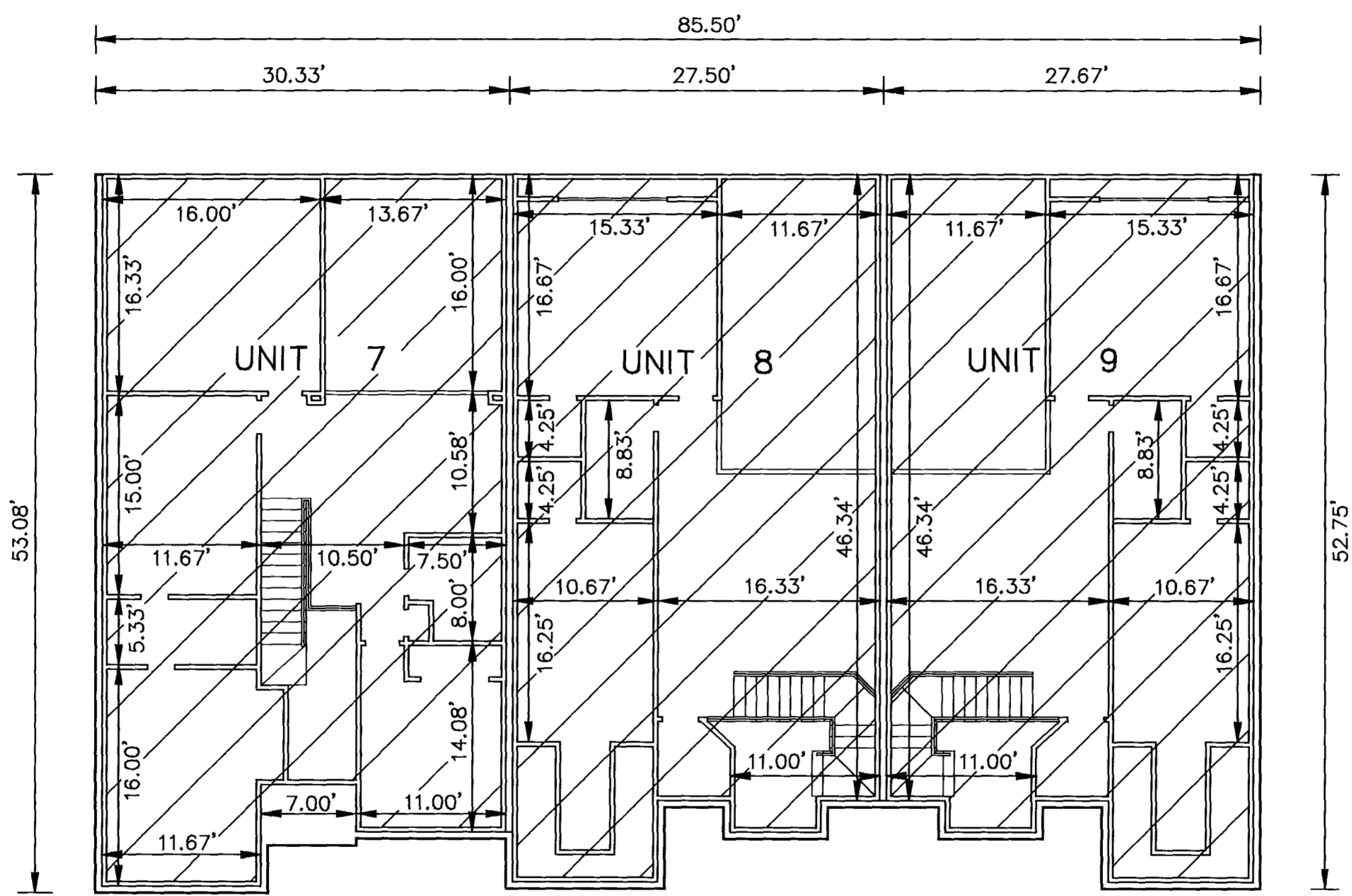
WILLIAMSBURG, VIRGINIA  
 SCALE: 1"=10' OCTOBER 28, 2003  
 JOHN E. SIRINE AND ASSOCIATES, LTD.  
 SURVEYORS • ENGINEERS • PLANNERS  
 VIRGINIA BEACH, VIRGINIA  
 (757) 486-4910

NOTES:

1. BUILDING DIMENSIONS SHOWN HEREON ARE INTERIOR DIMENSIONS. THESE DIMENSIONS ARE IN FEET AND WERE TAKEN FROM PLANS SUPPLIED ENTITLED "WYNDHAM PLANTATION AT WILLIAMSBURG, FLOOR PLANS" BY PROGRESSIVE DESIGNS DATED 11/19/98.
2. INTERIOR UNIT CONFIGURATIONS AND PARTITIONS AS DEPICTED HEREON ARE FOR THE PURPOSE OF ILLUSTRATION ONLY AND MAY NOT REPRESENT THE INTERIOR OF A UNIT AS ACTUALLY CONSTRUCTED.

SECOND FLOOR - BUILDING 32

SCALE: 1"=10'



SCALE: 1"=5'

UNIT AREA

PHASE	UNIT No.	UNIT ADDRESS	UNIT AREA
22	7	201 ZELKOVA ROAD	1,853 S.F.
22	8	205 ZELKOVA ROAD	1,800 S.F.
22	9	209 ZELKOVA ROAD	1,800 S.F.

THE UNDERSIGNED CERTIFIES THAT THESE PLANS ARE ACCURATE AND COMPLY WITH THE PROVISIONS OF CODE OF VIRGINIA, SECTION 55-79.58.B AND THAT ALL UNITS OR PORTIONS THEREOF DEPICTED HEREON AND ALL COMMON ELEMENTS HAVE BEEN SUBSTANTIALLY COMPLETED.

City of Williamsburg & County of James City  
 Circuit Court: This PLAT was recorded on  
 at 3:04 PM, PG 11-01-2003  
 DOCUMENT # 032551  
 BETSY B. WOOLRIDGE, CLERK  
 Betsy B. Woolridge Clerk

SIGNED: Jeffrey D. Williams  
 JEFFREY D. WILLIAMS, L.S.

