

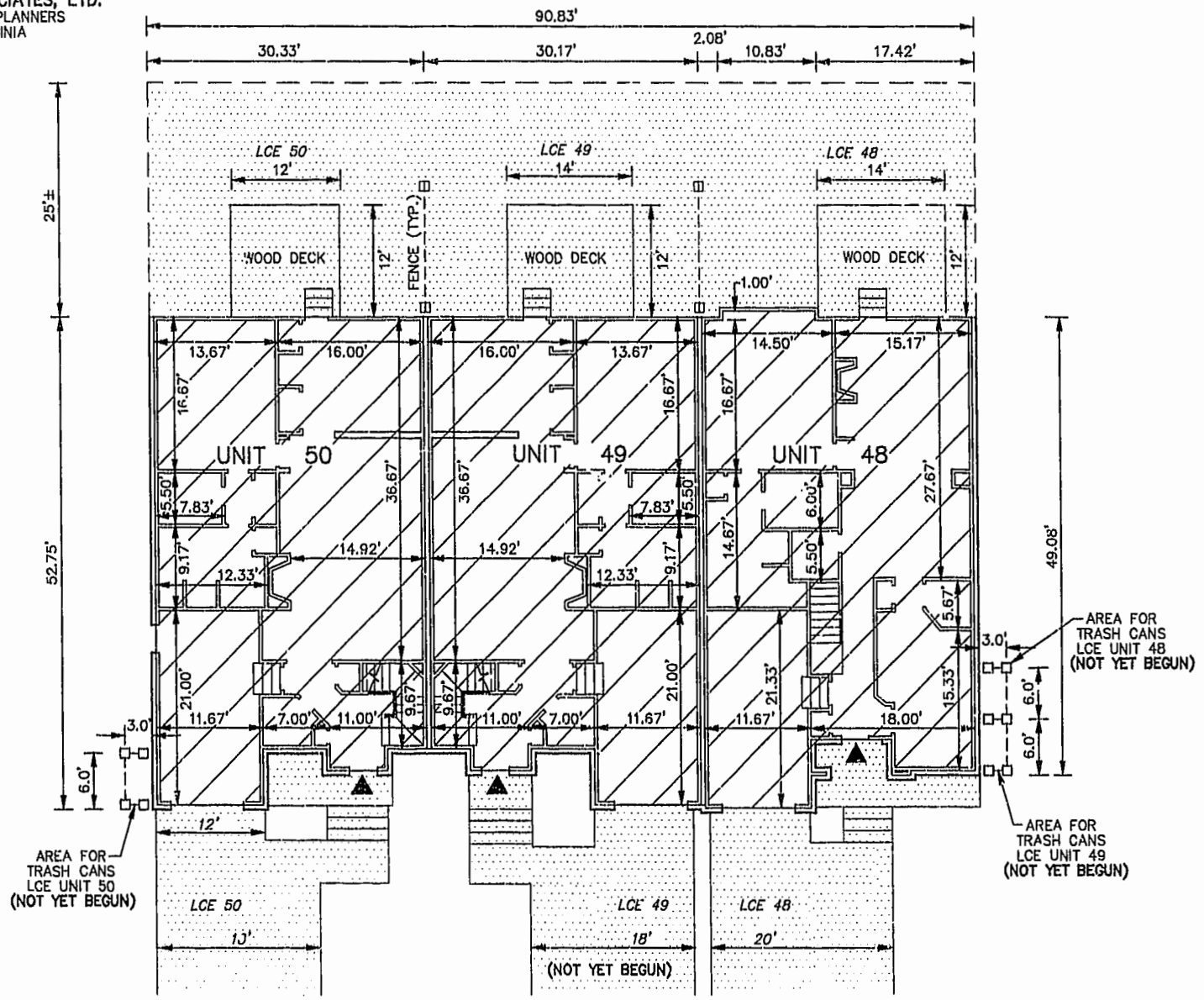
EXHIBIT B-15  
SUPPLEMENTAL CONDOMINIUM PLAN  
OF  
WYNDHAM PLANTATION  
CONDOMINIUM

WILLIAMSBURG, VIRGINIA  
SCALE: 1"=10' JANUARY 10, 2003

JOHN E. SIRINE AND ASSOCIATES, LTD.  
SURVEYORS • ENGINEERS • PLANNERS  
VIRGINIA BEACH, VIRGINIA  
(757) 486-4910

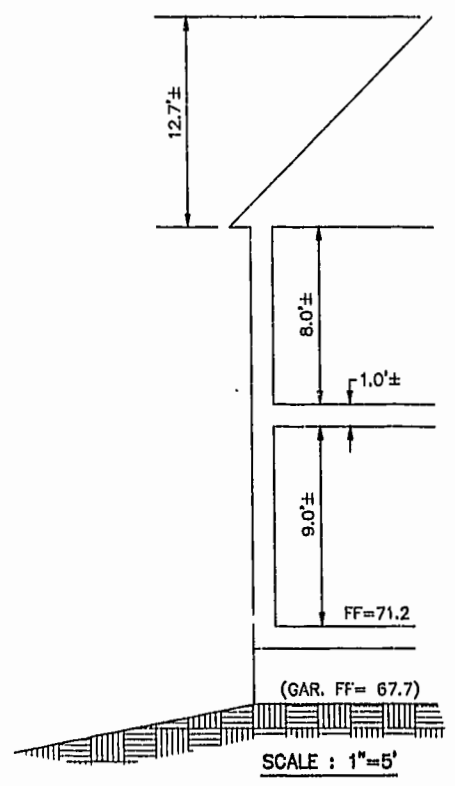
FIRST FLOOR - BUILDING 2

SCALE: 1"=10'



NOTES:

- BUILDING DIMENSIONS SHOWN HEREON ARE INTERIOR DIMENSIONS. THESE DIMENSIONS ARE IN FEET AND WERE TAKEN FROM PLANS SUPPLIED ENTITLED "WYNDHAM PLANTATION AT WILLIAMSBURG, FLOOR PLANS" BY PROGRESSIVE DESIGNS DATED 11/19/98.
- INTERIOR UNIT CONFIGURATIONS AND PARTITIONS AS DEPICTED HEREON ARE FOR THE PURPOSE OF ILLUSTRATION ONLY AND MAY NOT REPRESENT THE INTERIOR OF A UNIT AS ACTUALLY CONSTRUCTED.



UNIT AREA  
 LIMITED COMMON ELEMENT TO THE UNIT INDICATED (LCE)  
 INDICATES FRONT ENTRANCE TO UNIT

PHASE	UNIT No.	UNIT ADDRESS	UNIT AREA
17	48	112 ZELKOVA ROAD	1,997 S.F.
17	49	116 ZELKOVA ROAD	1,957 S.F.
17	50	120 ZELKOVA ROAD	1,957 S.F.

THE UNDERSIGNED CERTIFIES THAT THESE PLANS ARE ACCURATE AND COMPLY WITH THE PROVISIONS OF CODE OF VIRGINIA, SECTION 55--79.58.B AND THAT ALL UNITS OR PORTIONS THEREOF DEPICTED HEREON AND ALL COMMON ELEMENTS HAVE BEEN SUBSTANTIALLY COMPLETED, UNLESS OTHERWISE NOTED.

City of Williamsburg & County of James City  
Circuit Court: This PLAT was recorded on  
21 January 2003  
at 3:35 AM/PM, PB 289, PG 23-26  
DOCUMENT # 030117  
BETSY B. WOOLRIDGE, CLERK  
*Betsy B. Woolridge*, Dep. Clerk

SIGNED: Jeffrey D. Williams  
JEFFREY D. WILLIAMS, L.S.

