

020025833

88 PAGE 28

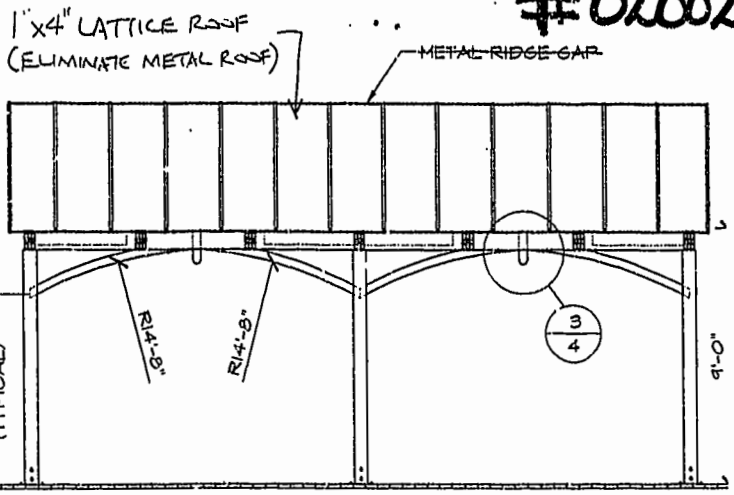
Guernsey
Tingle
Architects
WILLIAMSBURG, VIRGINIA
57-204020

Mill Pond Park Gazebo
Stonehouse
James City County, Virginia

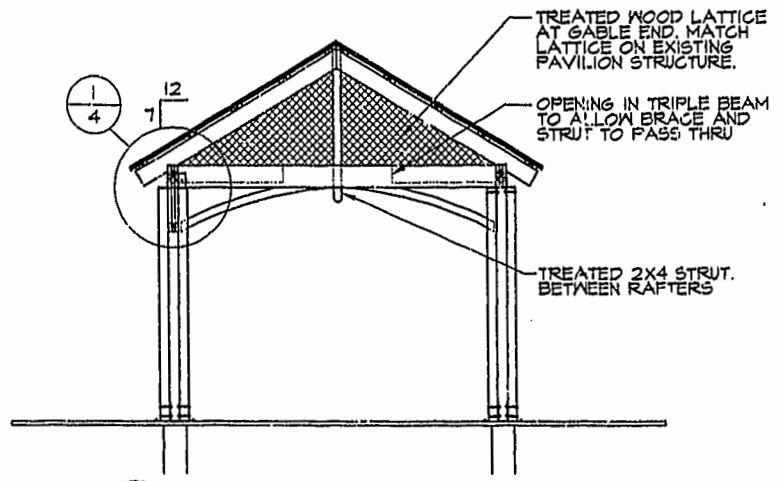
COMMONWEALTH OF VIRGINIA
THOMAS G. TINGLE
No. 5281
ARCHITECT

Date 10-18-01
Drawn WJH
Checked TGT
Project 2010BB

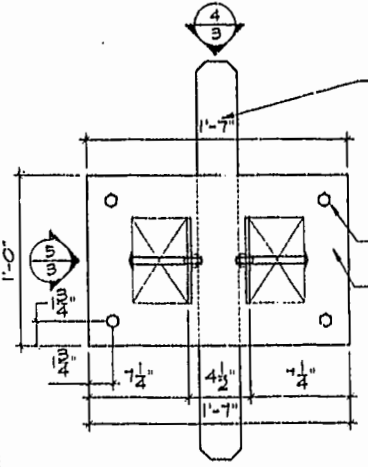
3
of FOUR sheets



1 SIDE ELEVATION
3 1/4" = 1'-0"



2 END ELEVATION
3 1/4" = 1'-0"

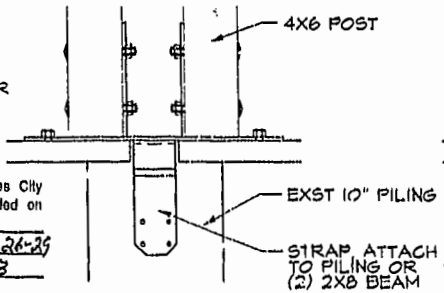


3 POST BASE
3 1-1/2" = 1'-0"

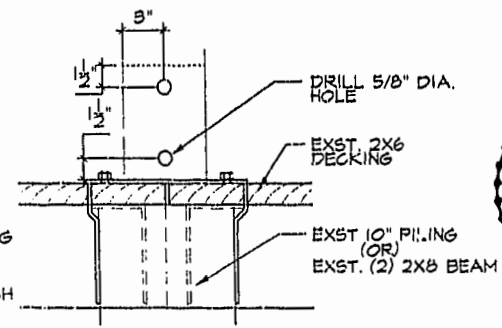
"SIMPSON" MSTC28 STRAP, WELDED TO BASE, FOLD STRAP TO ATTACH TO PILING.
NOTE: FOR CENTER COLUMN APPLICATION, ROTATE STRAP 90°

DRILL (4) 7/8" DIA. HOLE FOR 5/8" DIA. ANCHOR BOLT
FABRICATE FROM 1/4" STEEL PLATE

City of Williamsburg & County of James City Circuit Court: This PLAT was recorded on 4 NOV. 2002 at 8:45 AM/PM, PB 88, PG 26-29 DOCUMENT # 020025833 BETSY B. WOOLRIDGE, CLERK
Betsy B. Woolridge, Dep. Clerk



4 BASE ELEVATION
3 1-1/2" = 1'-0"



5 BASE ELEVATION
3 1-1/2" = 1'-0"